

**Overview**

- 0 ... 2 mm
- voltage output
- cable, 2 m
- -10 ... 70 °C
- IP 67



Picture similar



**Technical data**

**General data**

|                       |  |
|-----------------------|--|
| Mounting type         | Flush  |
| Measuring distance Sd | 0 ... 2 mm   |
| Resolution            | < 0,001 mm (stat.)<br>< 0,005 mm (dynam.)                              |
| Repeat accuracy       | < 0,02 mm  |
| Linearity error       | ± 60 µm (S = 0,5 ... 1,5 mm)<br>± 140 µm (S = 0 ... 2 mm)              |
| Temperature drift     | ± 3 % (Full Scale; 0 ... +60 °C)<br>± 5 % (Full Scale; -10 ... +70 °C) |

**Electrical data**

|  |               |
|--|---------------|
| Response time (factory characteristic) | < 0,5 ms      |
| Voltage supply range +Vs               | 12 ... 36 VDC |
| Current consumption max. (no load)     | 10 mA         |

**Electrical data**

|                             |                |
|-----------------------------|----------------|
| Output circuit              | Voltage output |
| Output signal               | 0 ... 10 VDC   |
| Load resistance             | > 4000 Ohm     |
| Short circuit protection    | Yes            |
| Reverse polarity protection | Yes            |

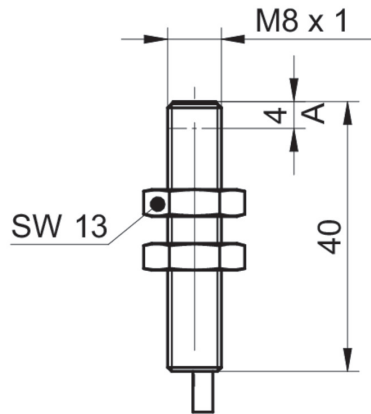
**Mechanical data**

|                        |                      |
|------------------------|----------------------|
| Type                   | Cylindrical threaded |
| Housing material       | Stainless steel      |
| Dimension              | 8 mm                 |
| Housing length         | 40 mm                |
| Connection types       | Cable, 2 m           |
| Tightening torque max. | 10 Nm (A: 7 Nm)      |

**Ambient conditions**

|                       |                |
|-----------------------|----------------|
| Operating temperature | -10 ... +70 °C |
| Protection class      | IP 67          |

## Dimension drawing



## Connection diagram

