

Overview

- 0 ... 16 mm
- current output
- connector M12
- -10 ... 70 °C
- IP 67



Picture similar



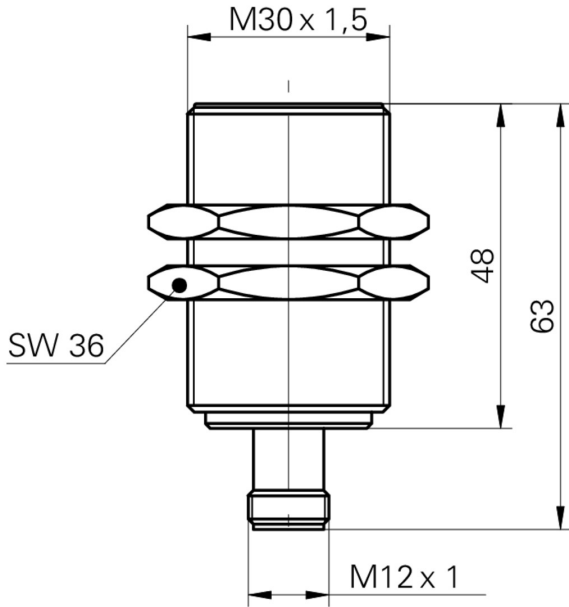
Technical data

General data		Electrical data	
Mounting type	Quasi-flush	Load resistance +Vs min.	< 330 Ohm
Measuring distance Sd	0 ... 16 mm	Load resistance +Vs max.	< 1000 Ohm
Resolution	< 0,005 mm (stat.) < 0,01 mm (dynam.)	Short circuit protection	Yes
Repeat accuracy	< 0,015 mm	Reverse polarity protection	Yes
Linearity error	± 1600 µm	Mechanical data	
Temperature drift	± 5 % (Full Scale)	Type	Cylindrical threaded
Electrical data		Housing material	Brass nickel plated
Response time (factory characteristic)	< 2 ms	Dimension	30 mm
Voltage supply range +Vs	15 ... 30 VDC	Housing length	63 mm
Current consumption max. (no load)	20 mA	Connection types	Connector M12
Output circuit	Current output	Tightening torque max.	200 Nm (Front: 140 Nm)
Output signal	4 ... 20 mA	Ambient conditions	
		Operating temperature	-10 ... +70 °C
		Protection class	IP 67

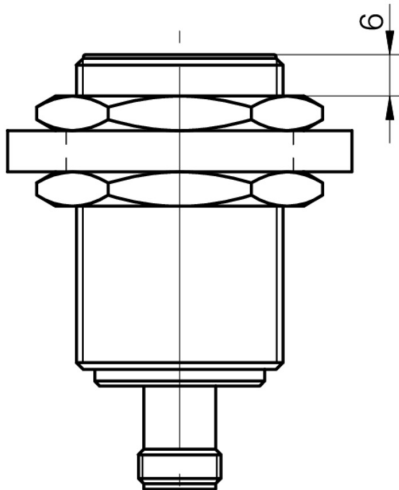
2021-04-28 The product features and technical data specified do not express or imply any warranty. Technical modifications subject to change.

IWRM 30I9704/S14

Dimension drawing



Installation drawing



Connection diagram

