

Overview

- 2 ... 5 mm
- voltage output
- cable, 2 m
- 60 °C
- IP 67



Picture similar



Technical data

General data

Mounting type	Flush
Measuring distance Sd	2 ... 5 mm
Reference distance	3,25 ... 3,75 mm
Measuring speed	< 1 mm / ms
Repeat accuracy	< 0,02 mm
Linearity error	± 100 µm
Temperature coefficient	1 µm / (K mm)

Electrical data

Voltage supply range +Vs	15 ... 30 VDC
Current consumption max. (no load)	20 mA
Output circuit	Voltage output
Output signal	1 ... 9 VDC
Load resistance	> 1000 Ohm

Electrical data

Residual output ripple	< 0,5 % Vs
Short circuit protection	Yes
Reverse polarity protection	Yes

Mechanical data

Type	Cylindrical threaded
Housing material	Brass nickel plated
Dimension	18 mm
Housing length	65 mm
Connection types	Cable, 2 m
Tightening torque max.	40 Nm (Front: 28 Nm)

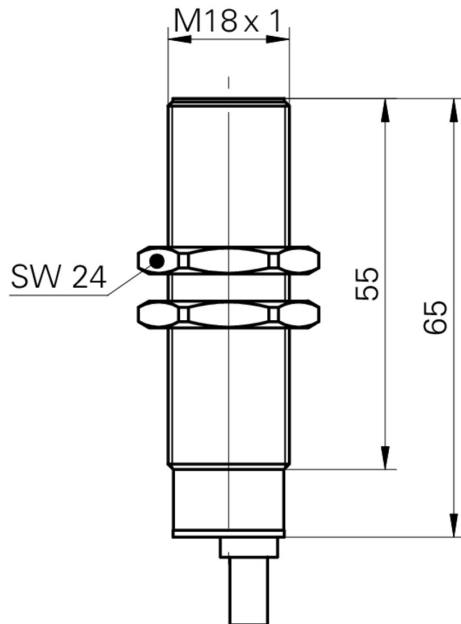
Ambient conditions

Operating temperature	0 ... +60 °C
Protection class	IP 67

2021-04-28 The product features and technical data specified do not express or imply any warranty. Technical modifications subject to change.

IWRM 18U9501

Dimension drawing



Connection diagram

