

# IWRM 12U9705/S14

Inductive distance sensors

Article number: 10146391

## Overview

- 0 ... 4 mm
- voltage output
- connector M12
- -10 ... 70 °C
- IP 67



Picture similar



## Technical data

### General data

Mounting type	Quasi-flush
Measuring distance Sd	0 ... 4 mm
Resolution	< 0,0005 mm (stat.) < 0,001 mm (dynam.)
Repeat accuracy	< 0,005 mm
Linearity error	± 160 µm
Temperature drift	± 4 % (Full Scale)

### Electrical data

Response time (factory characteristic)	< 30 ms
Voltage supply range +Vs	15 ... 30 VDC
Current consumption max. (no load)	20 mA
Output circuit	Voltage output

### Electrical data

Output signal	0 ... 10 VDC
Load resistance	> 1000 Ohm
Short circuit protection	Yes
Reverse polarity protection	Yes

### Mechanical data

Type	Cylindrical threaded
Housing material	Brass nickel plated
Dimension	12 mm
Housing length	50 mm
Connection types	Connector M12
Tightening torque max.	15 Nm (Front: 10 Nm)

### Ambient conditions

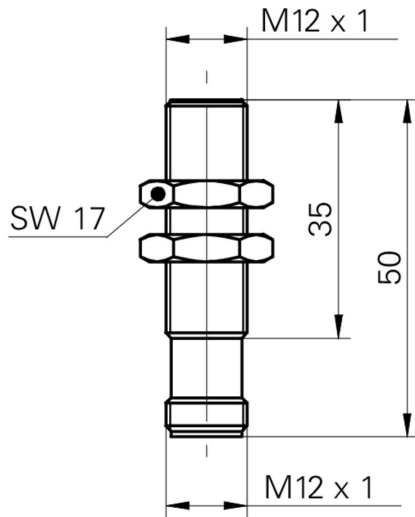
Operating temperature	-10 ... +70 °C
Protection class	IP 67

## Remarks

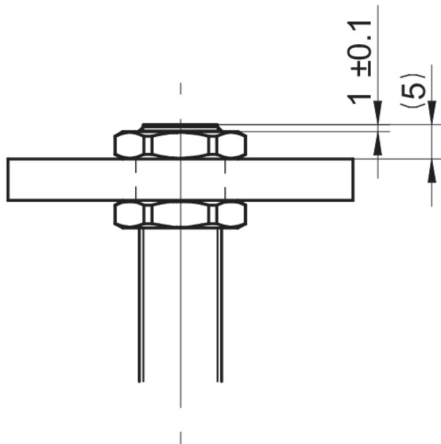
- Linearity deviation (S = 0,5...4 mm) ± 4% (Full Scale)

# IWRM 12U9705/S14

## Dimension drawing



## Installation drawing



## Connection diagram

