

IPRM 12I9506/S14

High precision analog sensors - high precision

Article number: 11017453

Overview

- 0 ... 3 mm
- current output
- connector M12
- 60 °C
- IP 67



Picture similar



Technical data

General data

| | |
|-----------------------|---|
| Mounting type | Quasi-flush |
| Measuring speed | < 1 mm / ms |
| Measuring distance Sd | 0 ... 3 mm |
| Resolution (RMS) | < 0,08 µm (stat. 10 Hz) < 0,17 µm (dynam. 520 Hz) < 0,013 µm (range center) |
| Linearity error | ± 150 µm |
| Repeat accuracy (Sd) | < 1 µm |
| Temperature drift | ± 25 µm |

Electrical data

| | |
|------------------------------------|----------------|
| Voltage supply range +Vs | 15 ... 30 VDC |
| Current consumption max. (no load) | 50 mA |
| Output circuit | Current output |
| Output signal | 0 ... 20 mA |

Electrical data

| | |
|-----------------------------|-----------|
| Load resistance +Vs min. | < 100 Ohm |
| Load resistance +Vs max. | < 400 Ohm |
| Voltage drop Vd | < 7 VDC |
| Short circuit protection | Yes |
| Reverse polarity protection | Yes |

Mechanical data

| | |
|-------------------------|--------------------------|
| Type | Cylindrical threaded |
| Dimension | 12 mm |
| Housing length | 90 mm |
| Housing material | Steel (9 SMn (Pb) 28/36) |
| Material (sensing face) | Ceramic |
| Connection types | Connector M12 |

Ambient conditions

| | |
|-----------------------|--------------|
| Operating temperature | 0 ... +60 °C |
| Protection class | IP 67 |

Remarks

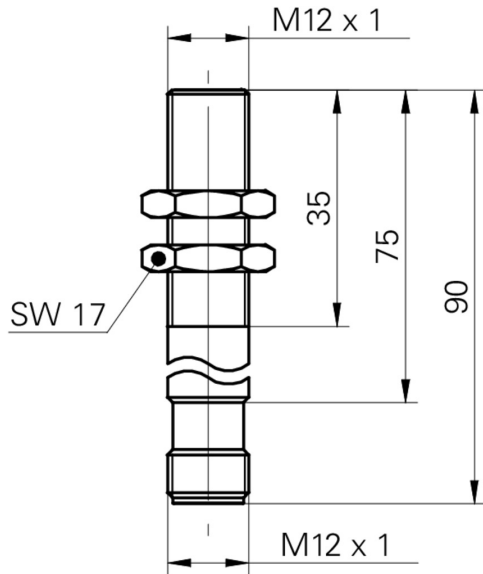
- Peak to peak = 6 x RMS

IPRM 12I9506/S14

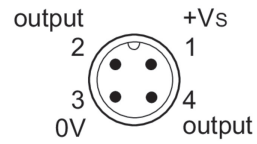
High precision analog sensors - high precision

Article number: 11017453

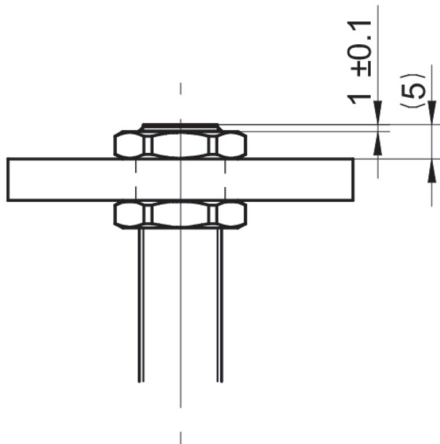
Dimension drawing



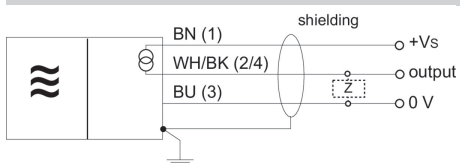
Pin assignment



Installation drawing



Connection diagram



sensor housing has to be connect to earth