

IPRM 12I9505/S14

High precision analog sensors - high precision

Article number: 10128566

Overview

- 0 ... 2 mm
- current output
- connector M12
- 60 °C
- IP 67



Picture similar



Technical data

General data

Mounting type	Quasi-flush
Measuring speed	< 1 mm / ms
Measuring distance Sd	0 ... 2 mm
Resolution (RMS)	< 0,012 µm (stat. 10 Hz) < 0,065 µm (dynam. 520 Hz) < 0,006 µm (range center)
Linearity error	± 60 µm
Repeat accuracy (Sd)	< 1 µm
Temperature drift	± 10 µm

Electrical data

Voltage supply range +Vs	15 ... 30 VDC
Current consumption max. (no load)	50 mA
Output circuit	Current output
Output signal	0 ... 20 mA

Electrical data

Load resistance +Vs min.	< 100 Ohm
Load resistance +Vs max.	< 400 Ohm
Voltage drop Vd	< 7 VDC
Short circuit protection	Yes
Reverse polarity protection	Yes

Mechanical data

Type	Cylindrical threaded
Dimension	12 mm
Housing length	90 mm
Housing material	Steel (9 SMn (Pb) 28/36)
Material (sensing face)	Ceramic
Connection types	Connector M12

Ambient conditions

Operating temperature	0 ... +60 °C
Protection class	IP 67

Remarks

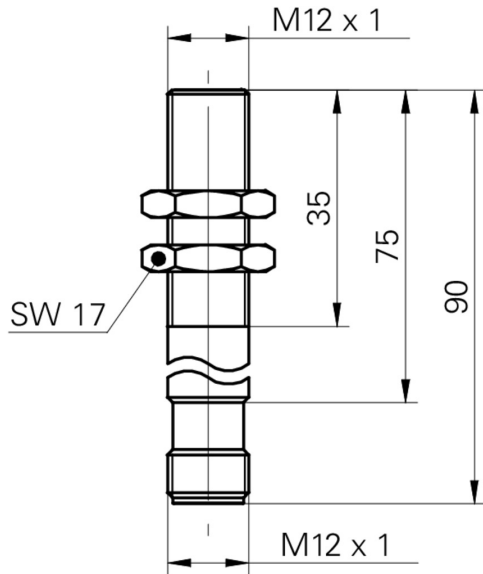
- Peak to peak = 6 x RMS

IPRM 12I9505/S14

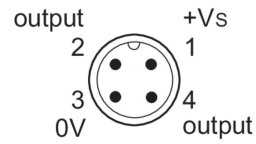
High precision analog sensors - high precision

Article number: 10128566

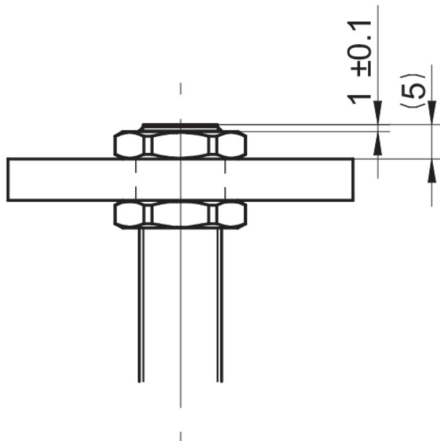
Dimension drawing



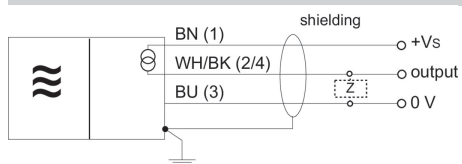
Pin assignment



Installation drawing



Connection diagram



sensor housing has to be connect to earth