

**Overview**

- 0 ... 2 mm
- voltage output
- connector M8
- 10 ... 60 °C
- IP 67



Picture similar



**Technical data**

**General data**

Mounting type	Quasi-flush
Measuring distance Sd	0 ... 2 mm
Resolution	< 0,001 mm (stat.) < 0,005 mm (dynam.)
Repeat accuracy	< 0,02 mm
Linearity error	± 100 µm
Temperature drift	± 5 % (Full Scale)

**Electrical data**

Response time (factory characteristic)	< 0,5 ms
Voltage supply range +Vs	15 ... 30 VDC
Current consumption max. (no load)	25 mA
Output circuit	Voltage output

**Electrical data**

Output signal	0 ... 10 VDC
Load resistance	> 1000 Ohm
Short circuit protection	Yes
Reverse polarity protection	Yes

**Mechanical data**

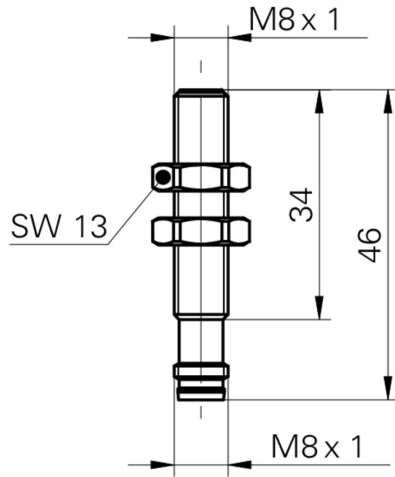
Type	Cylindrical threaded
Housing material	Stainless steel
Dimension	8 mm
Housing length	46 mm
Connection types	Connector M8
Tightening torque max.	10 Nm (Front: 7 Nm)

**Ambient conditions**

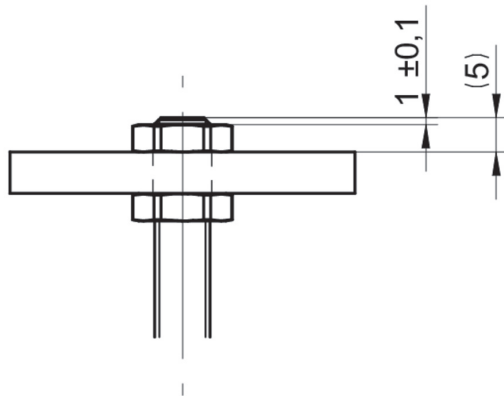
Operating temperature	10 ... +60 °C
Protection class	IP 67

# IWRM 08U9501/S35

## Dimension drawing



## Installation drawing



## Connection diagram

