

**Overview**

- 0 ... 2 mm
- current output
- cable, 2 m
- 10 ... 60 °C
- IP 67



Picture similar



**Technical data**

**General data**

Mounting type	Quasi-flush
Measuring distance Sd	0 ... 2 mm
Resolution	< 0,001 mm (stat.) < 0,005 mm (dynam.)
Repeat accuracy	< 0,02 mm
Linearity error	± 100 µm
Temperature drift	± 5 % (Full Scale)

**Electrical data**

Response time (factory characteristic)	< 0,5 ms
Voltage supply range +Vs	15 ... 30 VDC
Current consumption max. (no load)	35 mA
Output circuit	Current output
Output signal	0 ... 10 mA

**Electrical data**

Load resistance +Vs min.	< 910 Ohm
Load resistance +Vs max.	< 2400 Ohm
Short circuit protection	Yes
Reverse polarity protection	Yes

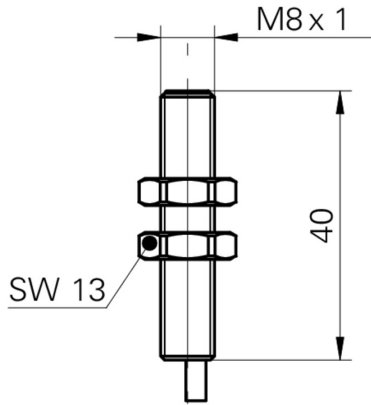
**Mechanical data**

Type	Cylindrical threaded
Housing material	Stainless steel
Dimension	8 mm
Housing length	40 mm
Connection types	Cable, 2 m
Tightening torque max.	10 Nm (Front: 7 Nm)

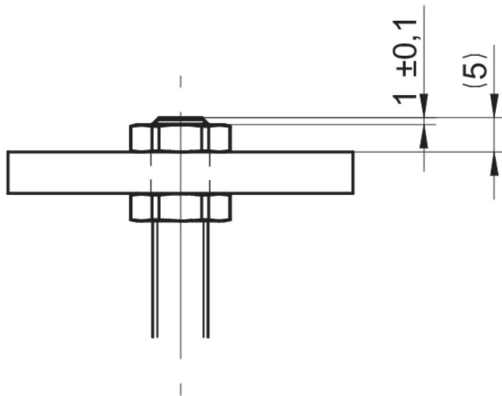
**Ambient conditions**

Operating temperature	10 ... +60 °C
Protection class	IP 67

**Dimension drawing**



**Installation drawing**



**Connection diagram**

