

**Overview**

- 0 ... 10 mm
- voltage output / PNP
- Teach-in
- connector M8
- -10 ... 70 °C
- IP 67



Picture similar



**Technical data**

**General data**

Mounting type	Quasi-flush
Special type	Linearized
Measuring distance Sd	0 ... 10 mm
Resolution	< 0,01 mm (stat.) < 0,01 mm (dynam.)
Repeat accuracy	< 0,015 mm
Adjustment	Teach-in
Linearity error	± 50 µm
Temperature drift	± 5 % (Full Scale)

**Electrical data**

Response time (factory characteristic)	< 2,5 ms
Response time (teach in characteristic)	< 3,1 ms
Voltage supply range +Vs	15 ... 30 VDC
Current consumption max. (no load)	30 mA

**Electrical data**

Output circuit	Voltage output / PNP
Output signal	0 ... 10 VDC
Load resistance	> 1000 Ohm
Output current	< 10 mA (PNP)
Voltage drop Vd	< 5 VDC (PNP)
Short circuit protection	Yes
Reverse polarity protection	Yes

**Mechanical data**

Type	Rectangular
Housing material	Polyester
Dimension	20 mm
Housing length	42 mm
Connection types	Connector M8

**Ambient conditions**

Operating temperature	-10 ... +70 °C
Protection class	IP 67

**Remarks**

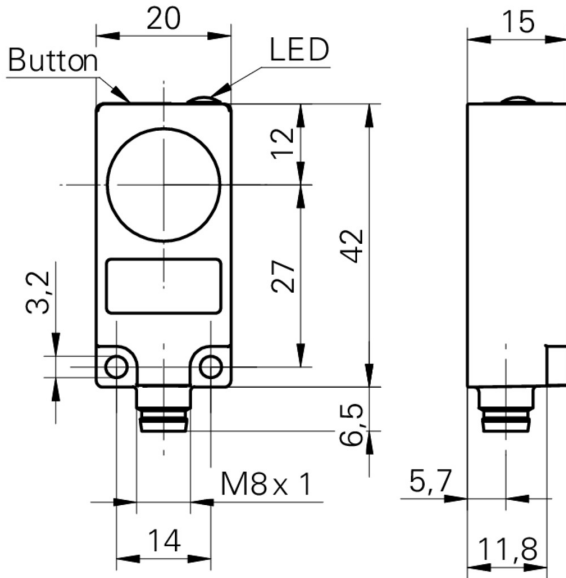
- Internal Teach-In
- Integrated analog- and switching output
- Linear analog output
- The sensor is suited for a controlled electromagnetic environment according to EN 61326-1, table 3.

# IWFK 20Z8704/S35A

Inductive distance sensors - linearized

Article number: 10155694

## Dimension drawing



## Connection diagram

