

## IWFM 12U9501/O1

Inductive distance sensors

Article number: 10237474

### Overview

- 1 ... 2 mm
- voltage output
- cable, 2 m
- 60 °C
- IP 67



Picture similar



### Technical data

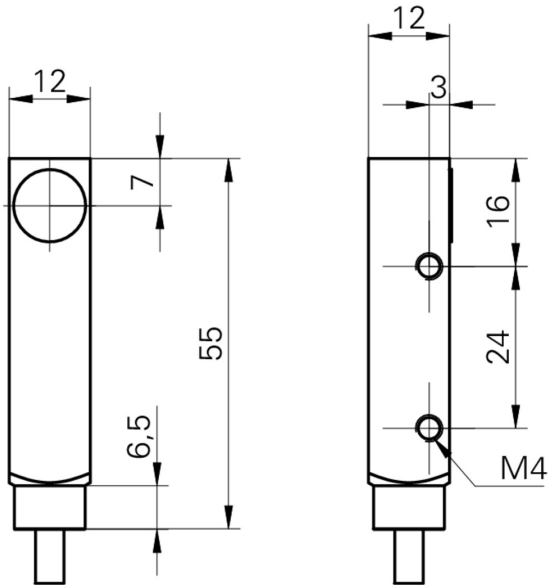
General data		Electrical data	
Mounting type	Flush	Load resistance	> 1000 Ohm
Measuring distance Sd	1 ... 2 mm	Residual output ripple	< 0,5 % Vs
Reference distance	1,35 ... 1,65 mm	Short circuit protection	Yes
Measuring speed	< 0,5 mm / ms	Reverse polarity protection	Yes
Repeat accuracy	< 0,02 mm	Mechanical data	
Linearity error	± 80 µm	Type	Rectangular
Temperature coefficient	1 µm / (K mm)	Housing material	Brass nickel plated
Electrical data		Dimension	12 mm
Voltage supply range +Vs	15 ... 30 VDC	Housing length	55 mm
Current consumption max. (no load)	20 mA	Connection types	Cable, 2 m
Output circuit	Voltage output	Ambient conditions	
Output signal	1 ... 9 VDC	Operating temperature	0 ... +60 °C
		Protection class	IP 67

# IWFM 12U9501/O1

Inductive distance sensors

Article number: 10237474

## Dimension drawing



## Connection diagram

