

IGYX 18N17B3/L

Inductive proximity switch

Article number: 11078881

Overview

- 8 mm
- 6,4 mm
- NPN make function (NO)
- cable, 2 m
- -25 ... 75 °C
- IP 67



Picture similar

Technical data

General data

| | |
|--|---|
| Mounting type | Quasi-flush |
| Nominal sensing distance S _n | 8 mm |
| Assured sensing distance S _a | 6,4 mm |
| Temperature drift | ± 10 % of S _r (0 ... +60 °C) |
| Hysteresis | 3 ... 20 % of S _r |
| Output indicator | LED red |

Electrical data

| | |
|---------------------------------------|------------------------|
| Switching frequency | < 400 Hz |
| Voltage supply range +V _s | 10 ... 30 VDC |
| Current consumption max. (no load) | 15 mA |
| Output circuit | NPN make function (NO) |
| Voltage drop V _d | < 2,5 VDC |

Electrical data

| | |
|-----------------------------|----------|
| Output current | < 200 mA |
| Short circuit protection | Yes |
| Reverse polarity protection | Yes |

Mechanical data

| | |
|-------------------------|----------------------|
| Type | Cylindrical threaded |
| Material (sensing face) | PBT, red |
| Housing material | Brass nickel plated |
| Dimension | 18 mm |
| Housing length | 50 mm |
| Connection types | Cable, 2 m |
| Tightening torque max. | 25 Nm |

Ambient conditions

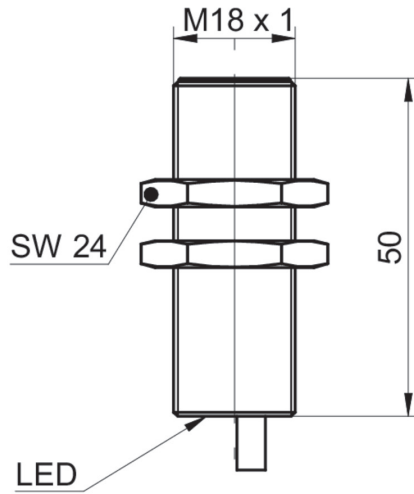
| | |
|-----------------------|----------------|
| Operating temperature | -25 ... +75 °C |
| Protection class | IP 67 |

Remarks

- Compliant with EMC requirements of EN 60947-5-2: 2007

IGYX 18N17B3/L

Dimension drawing



Connection diagram

