

## IARM 12P15A3/S35L

Inductive sensors special versions

Article number: 11081447

### Overview

- 1,2 mm
- PNP make function (NO)
- connector M8
- -25 ... 75 °C
- IP 67



Picture similar



### Technical data

#### General data

Mounting type	Flush
Special type	With banking screw
Nominal sensing distance Sn	1,2 mm
Real sensing distance Sr	1,0 ... 1,3 mm
Temperature drift	± 10 % of Sr (-25 ... +50 °C) - 10 % ... +20 % of Sr (-25 ... +75 °C)
Hysteresis	3 ... 25 % of Sr
Output indicator	3 port LED red

#### Electrical data

Switching frequency	< 5 kHz
Voltage supply range +Vs	10 ... 30 VDC
Current consumption max. (no load)	12 mA
Output circuit	PNP make function (NO)

#### Electrical data

Voltage drop Vd	< 2 VDC
Output current	< 200 mA
Short circuit protection	Yes
Reverse polarity protection	Yes

#### Mechanical data

Type	Cylindrical threaded
Material (sensing face)	PBT
Housing material	Steel / hardened steel
Dimension	12 mm
Housing length	56,3 mm
Connection types	Connector M8

#### Ambient conditions

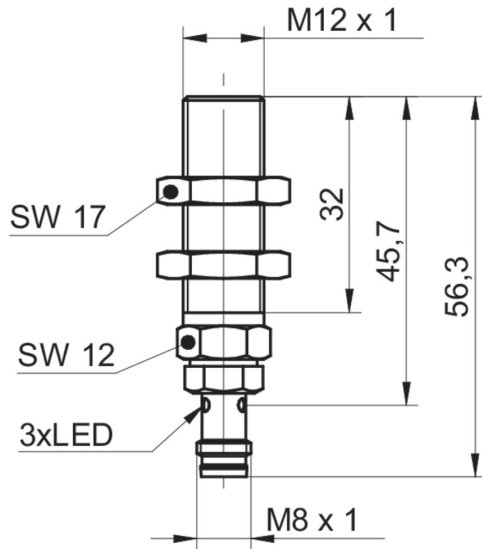
Operating temperature	-25 ... +75 °C
Protection class	IP 67

### Remarks

- Output triggered on impact
- Quick and easy replacement of sensor IFRM 06P15A4/S35L

# IARM 12P15A3/S35L

## Dimension drawing



## Connection diagram

