

Overview

- 10mm for flush mount in St37
- NPN break function (NC)
- connector M12
- -40 ... 80 °C
- IP 67



Picture similar



Technical data

General data

Mounting type	Flush
Special type	Outdoor design
Nominal sensing distance S _n	10 mm
Hysteresis	2 ... 15 % of S _r
Output indicator	LED red

Electrical data

Switching frequency	< 400 Hz
Voltage supply range +V _s	6 ... 36 VDC
Current consumption max. (no load)	24 mA
Output circuit	NPN break function (NC)
Voltage drop V _d	< 2 VDC
Output current	< 200 mA

Electrical data

Short circuit protection	Yes
Reverse polarity protection	Yes

Mechanical data

Type	Cylindrical threaded
Material (sensing face)	PBT
Housing material	Brass nickel plated
Dimension	18 mm
Housing length	60 mm
Connection types	Connector M12
Tightening torque max.	40 Nm (Front: 28 Nm)

Ambient conditions

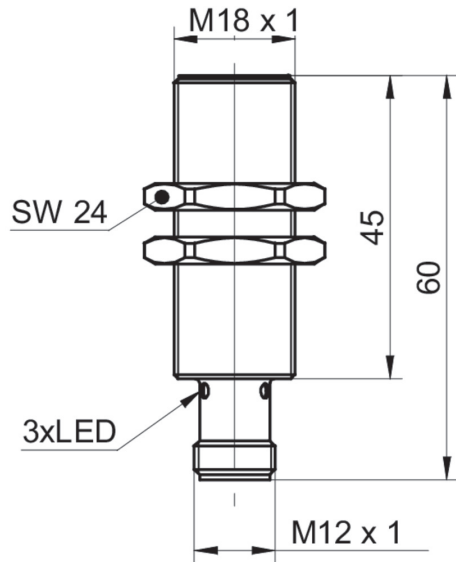
Operating temperature	-40 ... +80 °C
Protection class	IP 67

IFRM 18N37M1/S14L

Inductive proximity switch - outdoor

Article number: 11013676

Dimension drawing



Connection diagram

