

Overview

- 10mm for flush mount in St37
- NPN make function (NO)
- connector M12
- -40 ... 80 °C
- IP 67



Picture similar



Technical data

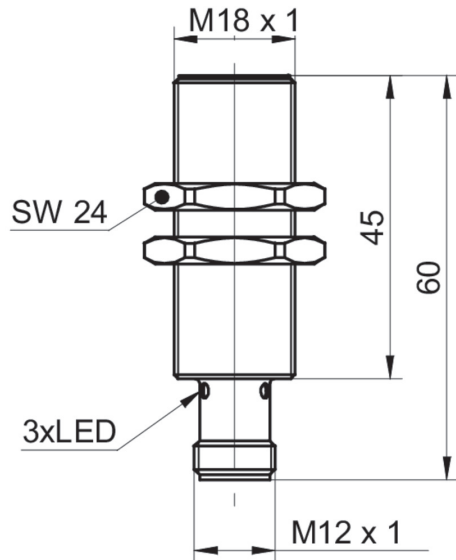
General data		Electrical data	
Mounting type	Flush	Short circuit protection	Yes
Special type	Outdoor design	Reverse polarity protection	Yes
Nominal sensing distance	10 mm	Mechanical data	
Sn		Type	Cylindrical threaded
Hysteresis	2 ... 15 % of Sr	Material (sensing face)	PBT
Output indicator	LED red	Housing material	Brass nickel plated
Electrical data		Dimension	18 mm
Switching frequency	< 400 Hz	Housing length	60 mm
Voltage supply range +Vs	6 ... 36 VDC	Connection types	Connector M12
Current consumption max. (no load)	24 mA	Tightening torque max.	40 Nm (Front: 28 Nm)
Output circuit	NPN make function (NO)	Ambient conditions	
Voltage drop Vd	< 2 VDC	Operating temperature	-40 ... +80 °C
Output current	< 200 mA	Protection class	IP 67

IFRM 18N17M1/S14L

Inductive proximity switch - outdoor

Article number: 11013675

Dimension drawing



Connection diagram

