

## IFRM 18N13T1/S14L

Inductive proximity switch - outdoor and washdown

Article number: 11016655

### Overview

- 12 mm
- NPN make function (NO)
- connector M12
- -40 ... 80 °C
- IP 67



Picture similar



### Technical data

#### General data

Mounting type	Non-flush
Special type	Outdoor design
Nominal sensing distance S <sub>n</sub>	12 mm
Hysteresis	2 ... 15 % of S <sub>r</sub>
Output indicator	LED red

#### Electrical data

Switching frequency	< 500 Hz
Voltage supply range +V <sub>s</sub>	6 ... 30 VDC
Current consumption max. (no load)	10 mA
Output circuit	NPN make function (NO)
Voltage drop V <sub>d</sub>	< 2 VDC
Output current	< 200 mA

#### Electrical data

Short circuit protection	Yes
Reverse polarity protection	Yes

#### Mechanical data

Type	Cylindrical threaded
Material (sensing face)	PBT
Housing material	Brass nickel plated
Dimension	18 mm
Housing length	60 mm
Connection types	Connector M12
Tightening torque max.	40 Nm (Front: 28 Nm)

#### Ambient conditions

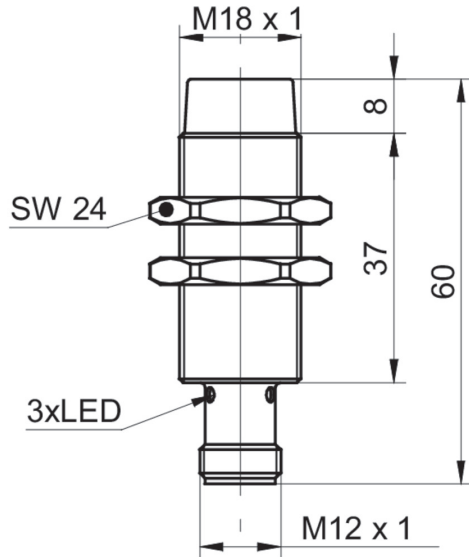
Operating temperature	-40 ... +80 °C
Protection class	IP 67

# IFRM 18N13T1/S14L

Inductive proximity switch - outdoor and washdown

Article number: 11016655

## Dimension drawing



## Connection diagram

