

IFRR 18N33T1/PL-9

Inductive proximity switch - outdoor and washdown

Article number: 11013665

Overview

- 12 mm
- NPN break function (NC)
- cable PUR 3 x 0,25, 2 m
- -40 ... 80 °C
- IP 68/69K & proTect+



Picture similar



Technical data

General data

| | |
|--|------------------------------|
| Mounting type | Non-flush |
| Special type | Outdoor design |
| Nominal sensing distance S _n | 12 mm |
| Hysteresis | 2 ... 15 % of S _r |
| Output indicator | LED red |

Electrical data

| | |
|---|-------------------------|
| Switching frequency | < 500 Hz |
| Voltage supply range +V _s | 6 ... 30 VDC |
| Current consumption max. (no load) | 10 mA |
| Output circuit | NPN break function (NC) |
| Voltage drop V _d | < 2 VDC |
| Output current | < 200 mA |
| Output current (at cleaning temperature) | < 100 mA |
| Short circuit protection | Yes |

Electrical data

| | |
|-----------------------------|-----|
| Reverse polarity protection | Yes |
|-----------------------------|-----|

Mechanical data

| | |
|-------------------------|-----------------------------------|
| Type | Cylindrical threaded |
| Material (sensing face) | LCP |
| Housing material | Stainless steel 1.4404 (V4A); LSR |
| Dimension | 18 mm |
| Housing length | 55 mm |
| Connection types | Cable PUR 3 x 0,25, 2 m |
| Tightening torque max. | 55 Nm (Front: 38 Nm) |

Ambient conditions

| | |
|-----------------------|---|
| Operating temperature | -40 ... +80 °C |
| Cleaning temperature | 80 ... +100 °C (30 min/day) |
| Protection class | IP 68/69K & proTect+ |
| Vibration resistance | EN 61373: 2010 (category 3), 5h per axis (14.4 gRMS, 10-500 Hz, EN 60068-2-64) |
| Shock resistance | EN 61373: 2010 (category 3), 10 bumps per axis (100 g, 6 ms, EN 60068-2-27) |

Remarks

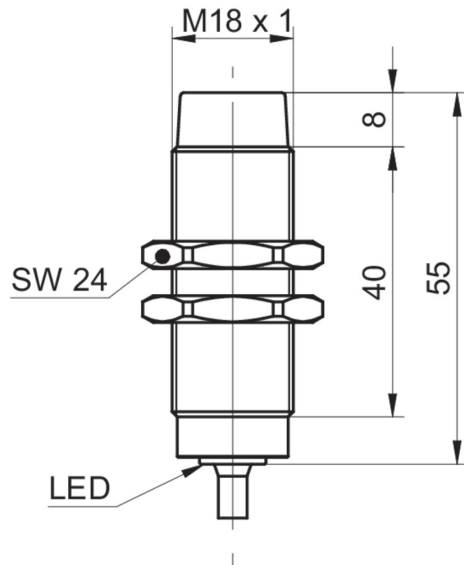
- LSR = Liquid Silicon Rubber

IFRR 18N33T1/PL-9

Inductive proximity switch - outdoor and washdown

Article number: 11013665

Dimension drawing



Connection diagram

