

Overview

- 4 mm
- NPN make function (NO)
- connector M12
- -25 ... 75 °C
- IP 68/67 (sensing face/sensor)



Picture similar



Technical data

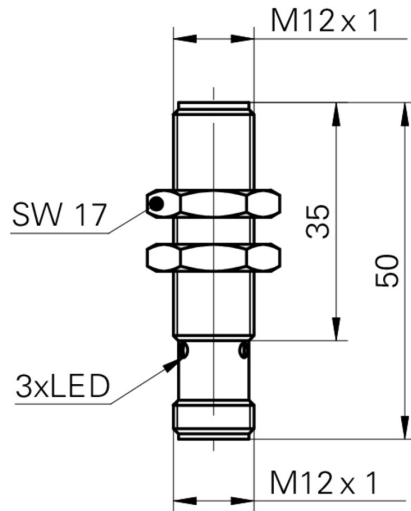
General data		Electrical data	
Mounting type	Quasi-flush	Output current	< 200 mA
Special type	Full metal housing (<kursiv>Duro-Prox</kursiv>)	Short circuit protection	Yes
Nominal sensing distance Sn	4 mm	Reverse polarity protection	Yes
Hysteresis	2 ... 20 % of Sr	Mechanical data	
Output indicator	3 port LED red	Type	Cylindrical threaded
Electrical data		Material (sensing face)	Stainless steel 1.4404 (V4A)
Switching frequency	< 100 Hz	Housing material	Stainless steel 1.4404 (V4A)
Voltage supply range +Vs	10 ... 30 VDC	Operating pressure static	< 20 bar
Current consumption max. (no load)	14 mA	Dimension	12 mm
Output circuit	NPN make function (NO)	Housing length	50 mm
Voltage drop Vd	< 2 VDC	Connection types	Connector M12
		Ambient conditions	
		Operating temperature	-25 ... +75 °C
		Protection class	IP 68/67 (sensing face/sensor)

Remarks

- Higher noise immunity (EMC), (EN 61000-6-2)

IFRD 12N17A3/S14L

Dimension drawing



Connection diagram

