

## IFRD 08N37A1/S35L

Inductive sensors special versions

Article number: 10150430

### Overview

- 2 mm
- NPN break function (NC)
- connector M8
- -25 ... 75 °C
- IP 68/67 (sensing face/sensor)



Picture similar



### Technical data

#### General data

Mounting type	Quasi-flush
Special type	Full metal housing (<kursiv>Duro-Prox</kursiv>)
Nominal sensing distance S <sub>n</sub>	2 mm
Hysteresis	2 ... 20 % of S <sub>r</sub>
Output indicator	3 port LED red

#### Electrical data

Switching frequency	< 150 Hz
Voltage supply range +V <sub>s</sub>	10 ... 30 VDC
Current consumption max. (no load)	20 mA
Output circuit	NPN break function (NC)
Voltage drop V <sub>d</sub>	< 2 VDC

#### Electrical data

Output current	< 200 mA
Short circuit protection	Yes
Reverse polarity protection	Yes

#### Mechanical data

Type	Cylindrical threaded
Material (sensing face)	Stainless steel 1.4404 (V4A)
Housing material	Stainless steel 1.4404 (V4A)
Operating pressure static	< 20 bar
Dimension	8 mm
Housing length	46 mm
Connection types	Connector M8

#### Ambient conditions

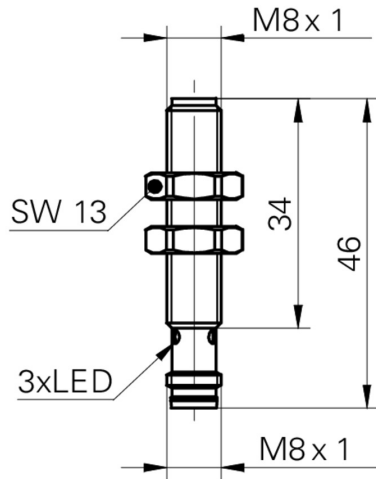
Operating temperature	-25 ... +75 °C
Protection class	IP 68/67 (sensing face/sensor)

### Remarks

- Higher noise immunity (EMC), (EN 61000-6-2)

## IFRD 08N37A1/S35L

### Dimension drawing



### Connection diagram

