

**Overview**

- 8 mm
- NPN make function (NO)
- connector M8
- -25 ... 75 °C
- IP 67



Picture similar



**Technical data**

**General data**

Mounting type	Flush
Nominal sensing distance S <sub>n</sub>	8 mm
Hysteresis	3 ... 20 % of S <sub>r</sub>
Output indicator	LED red

**Electrical data**

Switching frequency	< 500 Hz
Voltage supply range +V <sub>s</sub>	10 ... 30 VDC
Current consumption max. (no load)	10 mA
Output circuit	NPN make function (NO)
Voltage drop V <sub>d</sub>	< 2 VDC
Output current	< 200 mA

**Electrical data**

Short circuit protection	Yes
Reverse polarity protection	Yes

**Mechanical data**

Type	Rectangular
Material (sensing face)	PBT
Housing material	Brass nickel plated
Dimension	20 mm
Housing length	32 mm
Connection types	Connector M8

**Ambient conditions**

Operating temperature	-25 ... +75 °C
Protection class	IP 67

**Remarks**

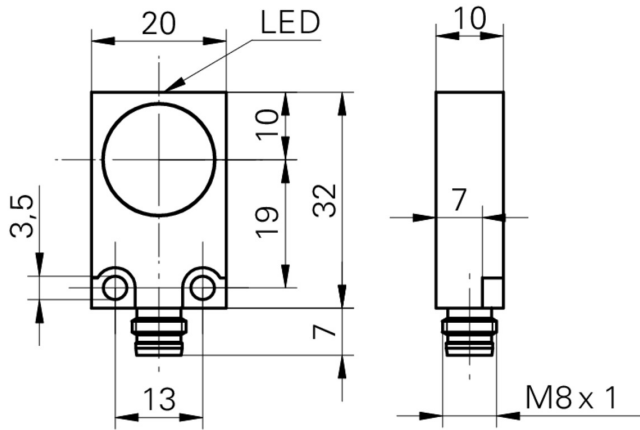
- Increased sensing distance
- Extra flat housing

## IFFM 20N17A3/S35L

Inductive proximity switch

Article number: 10150205

### Dimension drawing



### Connection diagram

