

Overview

- 5 mm
- NPN make function (NO)
- connector M8
- -25 ... 75 °C
- IP 67



Picture similar



Technical data

General data

Mounting type	Flush
Nominal sensing distance S _n	5 mm
Hysteresis	3 ... 20 % of S _r
Output indicator	4 port LED red

Electrical data

Switching frequency	< 1 kHz
Voltage supply range +V _s	10 ... 50 VDC
Current consumption max. (no load)	10 mA
Output circuit	NPN make function (NO)
Voltage drop V _d	< 3 VDC
Output current	< 200 mA

Electrical data

Short circuit protection	Yes
Reverse polarity protection	Yes

Mechanical data

Type	Rectangular
Material (sensing face)	PBT
Housing material	Brass nickel plated
Dimension	20 mm
Housing length	32 mm
Connection types	Connector M8

Ambient conditions

Operating temperature	-25 ... +75 °C
Protection class	IP 67

Remarks

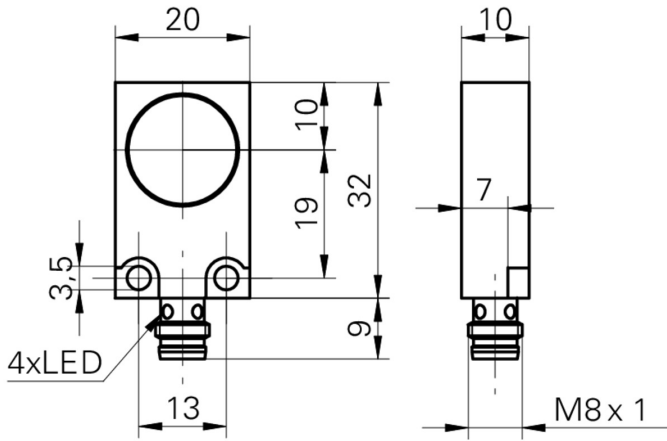
- Voltage supply range 10-50 VDC

IFFM 20N1501/S35L

Inductive proximity switch

Article number: 10224528

Dimension drawing



Connection diagram

