

Overview

- 0,8 mm
- NPN make function (NO)
- cable, 2 m
- -25 ... 75 °C
- IP 67



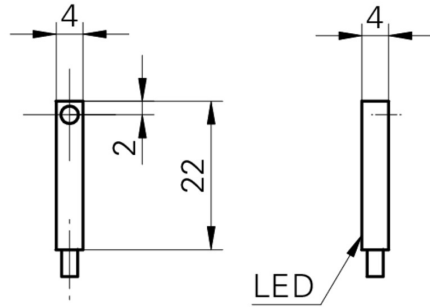
Picture similar



Technical data

General data		Electrical data	
Mounting type	Flush	Short circuit protection	Yes
Nominal sensing distance S _n	0,8 mm	Reverse polarity protection	Yes
Hysteresis	2 ... 20 % of S _r	Mechanical data	
Output indicator	LED red (backside)	Type	Rectangular
Electrical data		Material (sensing face)	EP
Switching frequency	< 3 kHz	Housing material	Stainless steel
Voltage supply range +V _s	10 ... 30 VDC	Dimension	4 mm
Current consumption max. (no load)	12 mA	Housing length	22 mm
Output circuit	NPN make function (NO)	Connection types	Cable, 2 m
Voltage drop V _d	< 2 VDC	Ambient conditions	
Output current	< 100 mA	Operating temperature	-25 ... +75 °C
		Protection class	IP 67

Dimension drawing



Connection diagram

