

Overview

- 0,8 mm
- PNP make function (NO)
- cable, 2 m
- -25 ... 75 °C
- IP 67



Picture similar



Technical data

General data

Mounting type	Flush
Nominal sensing distance S _n	0,8 mm
Hysteresis	2 ... 20 % of S _r
Output indicator	LED red (backside)

Electrical data

Switching frequency	< 3 kHz
Voltage supply range +V _s	10 ... 30 VDC
Current consumption max. (no load)	12 mA
Output circuit	PNP make function (NO)
Voltage drop V _d	< 2 VDC
Output current	< 100 mA

Electrical data

Short circuit protection	Yes
Reverse polarity protection	Yes

Mechanical data

Type	Rectangular
Material (sensing face)	EP
Housing material	Stainless steel
Dimension	4 mm
Housing length	22 mm
Connection types	Cable, 2 m

Ambient conditions

Operating temperature	-25 ... +75 °C
Protection class	IP 67

Remarks

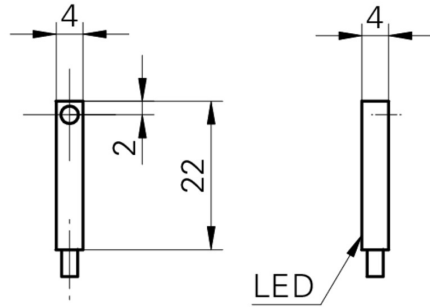
- Smallest rectangular housing worldwide

IFFM 04P1501/O1L

Inductive proximity switch - subminiature

Article number: 10140707

Dimension drawing



Connection diagram

