

IR18.P08F-Q60.NC1Z.7BO

Inductive proximity switch - factor 1 - all metals

Article number: 11119475

Overview

- 8 mm
- NPN break function (NC)
- connector M12
- -25 ... 75 °C
- IP 67



Picture similar



Technical data

General data

Mounting type	Quasi-flush
Special type	Factor 1
Nominal sensing distance S _n	8 mm
Hysteresis	3 ... 20 % of S _r
Output indicator	3 port LED red

Electrical data

Switching frequency	< 500 Hz
Voltage supply range +V _s	5 ... 36 VDC
Current consumption max. (no load)	12 mA
Output circuit	NPN break function (NC)
Voltage drop V _d	< 2 VDC
Output current	< 200 mA

Electrical data

Short circuit protection	Yes
Reverse polarity protection	Yes

Mechanical data

Type	Cylindrical threaded
Material (sensing face)	PBT
Housing material	Brass nickel plated
Dimension	18 mm
Housing length	60 mm
Connection types	Connector M12
Tightening torque max.	40 Nm

Ambient conditions

Operating temperature	-25 ... +75 °C
Storage temperature	-40 ... +85 °C
Protection class	IP 67

Remarks

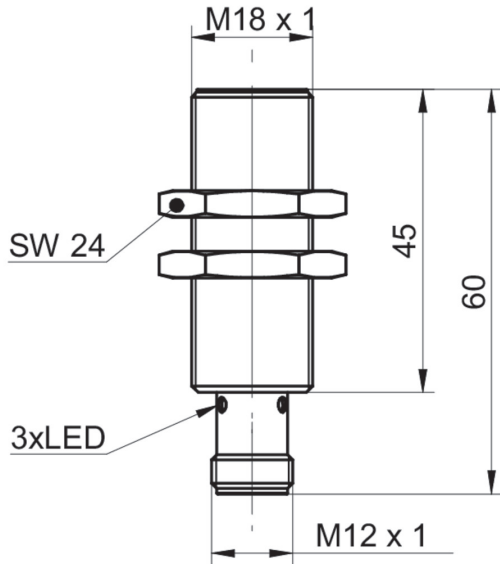
- Not for flush mounting in metals
- Same sensing distance on all metals (no reduction factor)

IR18.P08F-Q60.NC1Z.7BO

Inductive proximity switch - factor 1 - all metals

Article number: 11119475

Dimension drawing



Connection diagram

