

**Overview**

- 8 mm
- PNP make function (NO)
- connector M12
- -25 ... 75 °C
- IP 67



Picture similar



**Technical data**

**General data**

Mounting type	Quasi-flush
Special type	Factor 1
Nominal sensing distance S <sub>n</sub>	8 mm
Hysteresis	3 ... 20 % of S <sub>r</sub>
Output indicator	3 port LED red

**Electrical data**

Switching frequency	< 500 Hz
Voltage supply range +V <sub>s</sub>	5 ... 36 VDC
Current consumption max. (no load)	12 mA
Output circuit	PNP make function (NO)
Voltage drop V <sub>d</sub>	< 2 VDC
Output current	< 200 mA

**Electrical data**

Short circuit protection	Yes
Reverse polarity protection	Yes

**Mechanical data**

Type	Cylindrical threaded
Material (sensing face)	PBT
Housing material	Brass nickel plated
Dimension	18 mm
Housing length	60 mm
Connection types	Connector M12
Tightening torque max.	40 Nm

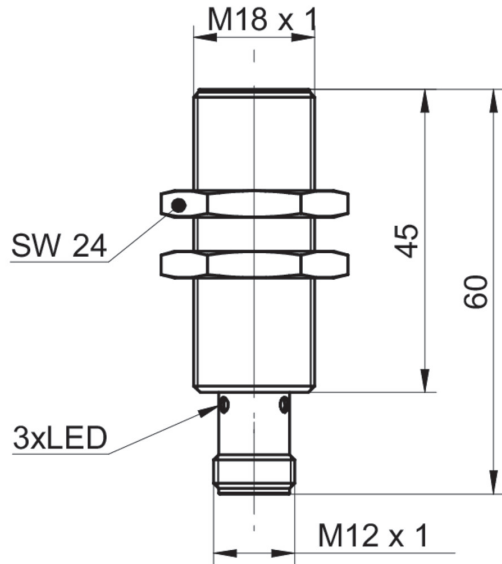
**Ambient conditions**

Operating temperature	-25 ... +75 °C
Storage temperature	-40 ... +85 °C
Protection class	IP 67

**Remarks**

- Not for flush mounting in metals
- Same sensing distance on all metals (no reduction factor)

**Dimension drawing**



**Connection diagram**

