

Overview

- 6 mm
- NPN break function (NC)
- connector M12
- -25 ... 75 °C
- IP 67



Picture similar



Technical data

General data

| | |
|--|------------------------------|
| Mounting type | Flush |
| Special type | Factor 1 |
| Nominal sensing distance S _n | 6 mm |
| Hysteresis | 3 ... 20 % of S _r |
| Output indicator | 3 port LED red |

Electrical data

| | |
|---------------------------------------|-------------------------|
| Switching frequency | < 500 Hz |
| Voltage supply range +V _s | 5 ... 36 VDC |
| Current consumption max. (no load) | 12 mA |
| Output circuit | NPN break function (NC) |
| Voltage drop V _d | < 2 VDC |
| Output current | < 200 mA |

Electrical data

| | |
|-----------------------------|-----|
| Short circuit protection | Yes |
| Reverse polarity protection | Yes |

Mechanical data

| | |
|-------------------------|----------------------|
| Type | Cylindrical threaded |
| Material (sensing face) | PBT |
| Housing material | Brass nickel plated |
| Dimension | 18 mm |
| Housing length | 60 mm |
| Connection types | Connector M12 |
| Tightening torque max. | 40 Nm |

Ambient conditions

| | |
|-----------------------|----------------|
| Operating temperature | -25 ... +75 °C |
| Storage temperature | -40 ... +85 °C |
| Protection class | IP 67 |

Remarks

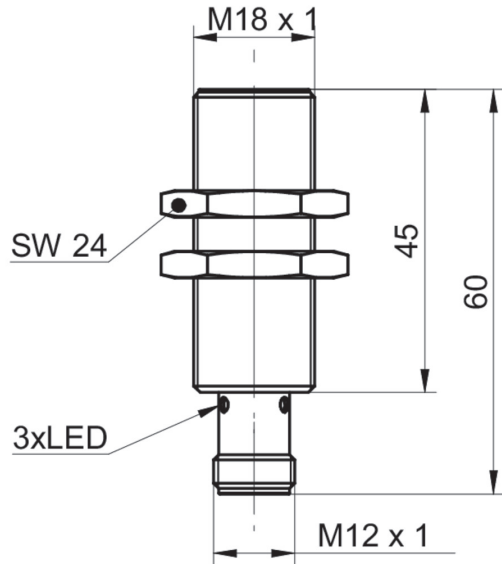
- Same sensing distance on all metals (no reduction factor)

IR18.P06F-F60.NC1Z.7BO

Inductive proximity switch - factor 1 - all metals

Article number: 11119457

Dimension drawing



Connection diagram

