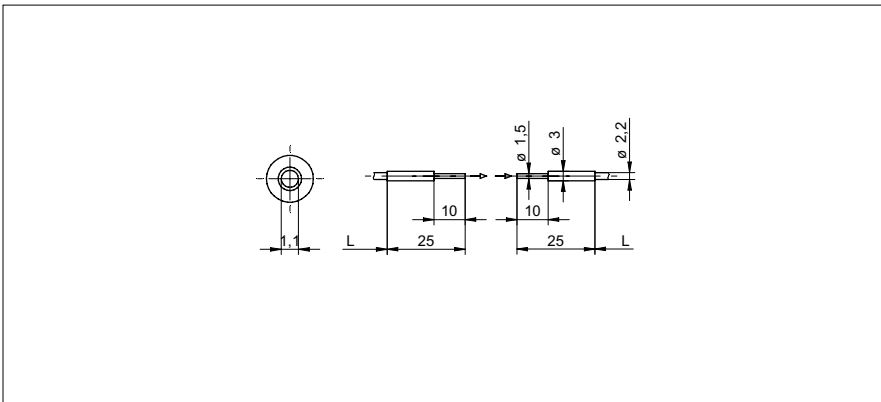


**Through beam fiber optics**

**FSE 025B2002**

**dimension drawing**



**general data**

type	through beam sensor
actual range Sb	140 mm
response time / release time	0,1 ... 1 ms
type of head (fiber optic cable)	cylindrical smooth (axial)
width / diameter (head)	1,5 mm
height / length (head)	25 mm
material (head)	aluminum
bending radius	7,5 mm (stat.) 15 mm (dynam.)
cable jacket diameter	2,5 mm
material cable jacket	PVC
fiber cross section	1 mm <sup>2</sup>
material (fiber optic cable)	glass
length (fiber optic cable)	250 mm
operating temperature	-25 ... +70 °C

Sensing distance/response time:  
For the definitive sensing distance/response time please see table below "fitting fiber optic sensors".

**photo**



fitting fiber optic sensors	actual range Sb (0,1 ms)	actual range Sb (0,25 ms)	actual range Sb (0,5 ms)	actual range Sb (1 ms)
FVDM 15	125 mm	-	-	140 mm