

IR12.P04F-F40.PO1Z.7BCV

Inductive proximity switch - factor 1 - all metals

Article number: 11119436

Overview

- 4 mm
- PNP make function (NO)
- cable, 2 m
- -25 ... 75 °C
- IP 67



Picture similar



Technical data

General data

Mounting type	Flush
Special type	Factor 1
Nominal sensing distance S _n	4 mm
Hysteresis	3 ... 20 % of S _r
Output indicator	LED red

Electrical data

Switching frequency	< 2 kHz
Voltage supply range +V _s	5 ... 36 VDC
Current consumption max. (no load)	12 mA
Output circuit	PNP make function (NO)
Voltage drop V _d	< 2 VDC
Output current	< 200 mA

Electrical data

Short circuit protection	Yes
Reverse polarity protection	Yes

Mechanical data

Type	Cylindrical threaded
Material (sensing face)	PBT
Housing material	Brass nickel plated
Dimension	12 mm
Housing length	40 mm
Connection types	Cable, 2 m
Tightening torque max.	15 Nm

Ambient conditions

Operating temperature	-25 ... +75 °C
Storage temperature	-40 ... +85 °C
Protection class	IP 67

Remarks

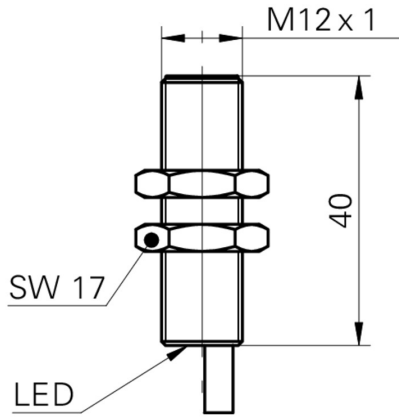
- Same sensing distance on all metals (no reduction factor)

IR12.P04F-F40.PO1Z.7BCV

Inductive proximity switch - factor 1 - all metals

Article number: 11119436

Dimension drawing



Connection diagram

