

## IR12.P04F-F50.NC1Z.7BO

Inductive proximity switch - factor 1 - all metals

Article number: 11119435

### Overview

- 4 mm
- NPN break function (NC)
- connector M12
- -25 ... 75 °C
- IP 67



Picture similar



### Technical data

#### General data

Mounting type	Flush
Special type	Factor 1
Nominal sensing distance S <sub>n</sub>	4 mm
Hysteresis	3 ... 20 % of S <sub>r</sub>
Output indicator	3 port LED red

#### Electrical data

Switching frequency	< 2 kHz
Voltage supply range +V <sub>s</sub>	5 ... 36 VDC
Current consumption max. (no load)	12 mA
Output circuit	NPN break function (NC)
Voltage drop V <sub>d</sub>	< 2 VDC
Output current	< 200 mA

#### Electrical data

Short circuit protection	Yes
Reverse polarity protection	Yes

#### Mechanical data

Type	Cylindrical threaded
Material (sensing face)	PBT
Housing material	Brass nickel plated
Dimension	12 mm
Housing length	50 mm
Connection types	Connector M12
Tightening torque max.	15 Nm

#### Ambient conditions

Operating temperature	-25 ... +75 °C
Storage temperature	-40 ... +85 °C
Protection class	IP 67

### Remarks

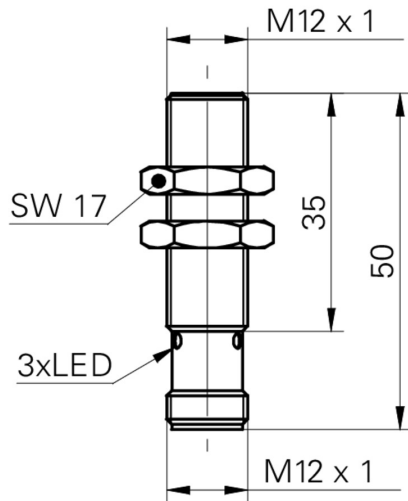
- Same sensing distance on all metals (no reduction factor)

# IR12.P04F-F50.NC1Z.7BO

Inductive proximity switch - factor 1 - all metals

Article number: 11119435

## Dimension drawing



## Connection diagram

