

# IR12.P04F-F50.PC1Z.7BO

Inductive proximity switch - factor 1 - all metals

Article number: 11119433

## Overview

- 4 mm
- PNP break function (NC)
- connector M12
- -25 ... 75 °C
- IP 67



Picture similar



## Technical data

### General data

|                                            |                              |
|--------------------------------------------|------------------------------|
| Mounting type                              | Flush                        |
| Special type                               | Factor 1                     |
| Nominal sensing distance<br>S <sub>n</sub> | 4 mm                         |
| Hysteresis                                 | 3 ... 20 % of S <sub>r</sub> |
| Output indicator                           | 3 port LED red               |

### Electrical data

|                                       |                         |
|---------------------------------------|-------------------------|
| Switching frequency                   | < 2 kHz                 |
| Voltage supply range +V <sub>s</sub>  | 5 ... 36 VDC            |
| Current consumption max.<br>(no load) | 12 mA                   |
| Output circuit                        | PNP break function (NC) |
| Voltage drop V <sub>d</sub>           | < 2 VDC                 |
| Output current                        | < 200 mA                |

### Electrical data

|                             |     |
|-----------------------------|-----|
| Short circuit protection    | Yes |
| Reverse polarity protection | Yes |

### Mechanical data

|                         |                      |
|-------------------------|----------------------|
| Type                    | Cylindrical threaded |
| Material (sensing face) | PBT                  |
| Housing material        | Brass nickel plated  |
| Dimension               | 12 mm                |
| Housing length          | 50 mm                |
| Connection types        | Connector M12        |
| Tightening torque max.  | 15 Nm                |

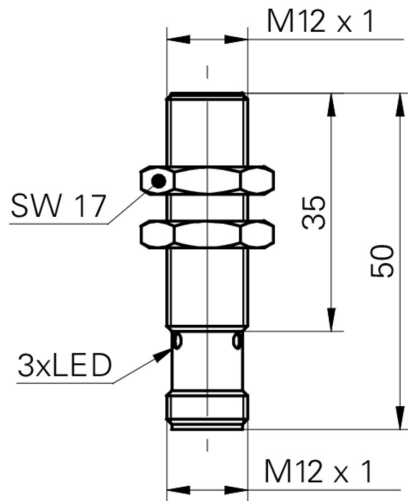
### Ambient conditions

|                       |                |
|-----------------------|----------------|
| Operating temperature | -25 ... +75 °C |
| Storage temperature   | -40 ... +85 °C |
| Protection class      | IP 67          |

## Remarks

- Same sensing distance on all metals (no reduction factor)

**Dimension drawing**



**Connection diagram**

