

**Overview**

- 18 mm
- PNP complementary (NO / NC)
- cable, 2 m
- -25 ... 75 °C
- IP 67



Picture similar



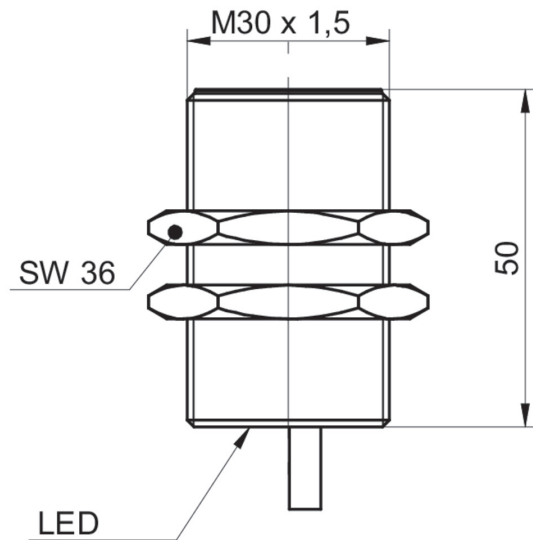
**Technical data**

General data		Electrical data	
Mounting type	Flush	Voltage drop Vd	< 2 VDC
Special type	Enhanced distance (GammaProx)	Output current	< 200 mA
Nominal sensing distance	18 mm	Short circuit protection	Yes
Sn		Reverse polarity protection	Yes
Temperature drift	± 10 %	Mechanical data	
Hysteresis	3 ... 20 % of Sr	Type	Cylindrical threaded
Output indicator	LED red	Material (sensing face)	PBT
Correction factor typ.	Mild steel 100 %, stainless steel 70 %, aluminum 40 %	Housing material	Brass nickel plated
Electrical data		Dimension	30 mm
Switching frequency	< 500 Hz	Housing length	50 mm
Voltage supply range +Vs	6 ... 36 VDC	Connection types	Cable, 2 m
Current consumption max. (no load)	10 mA	Tightening torque max.	140 Nm
Output circuit	PNP complementary (NO / NC)	Ambient conditions	
		Operating temperature	-25 ... +75 °C
		Protection class	IP 67

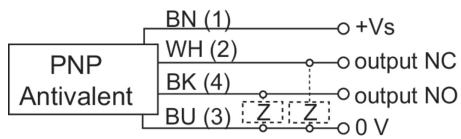
**Remarks**

- Increased sensing distance
- Complementary output

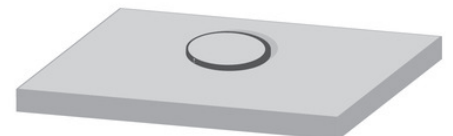
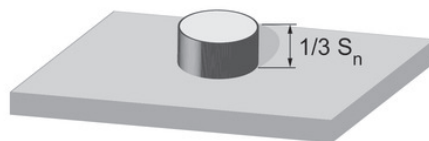
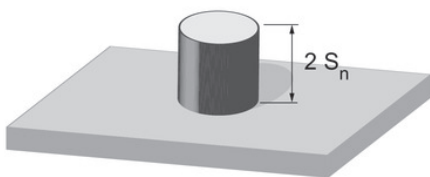
**Dimension drawing**



**Connection diagram**



**Correction factors for different mounting situation (approx.)**



Mounting material	Correction factor
Mild steel	100 %
Stainless steel	100 %
Aluminum	100 %

Mounting material	Correction factor
Mild steel	105 %
Stainless steel	105 %
Aluminum	100 %

Mounting material	Correction factor
Mild steel	not possible
Stainless steel	not possible
Aluminum	75 %

**Mounting instructions**

