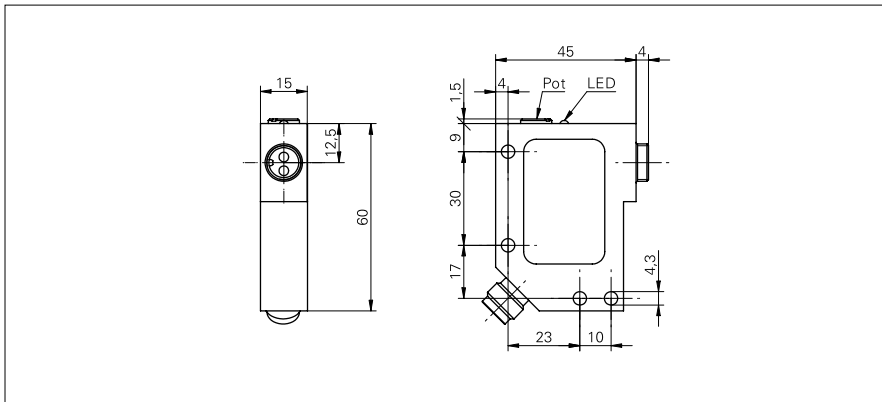


**Fiber optic sensors & cables**

**FVDM 15P5103/S14**

**dimension drawing**



**general data**

actual range Sb	1200 mm
sensing distance Tw	240 mm
light source	pulsed infrared diode
light indicator	LED yellow
alignment / soiled lens indicator	LED, flashing
adjustment	potentiometer, 20 turn
wave length	880 nm
suppression of reciprocal influence	yes

**electrical data**

response time / release time	< 1 ms
voltage supply range +Vs	10 ... 30 VDC
current consumption max. (no load)	46 mA
current consumption typ.	30 mA
voltage drop Vd	< 1,8 VDC
output function	light / dark operate
output circuit	PNP
output current	< 200 mA
short circuit protection	yes
reverse polarity protection	yes

**mechanical data**

width / diameter	15 mm
height / length	60 mm
depth	45 mm
type	rectangular
housing material	die-cast aluminum
connection types	connector M12 4 pin

**ambient conditions**

operating temperature	-25 ... +65 °C
protection class	IP 65

**photo**



**connection diagram**

