

**Overview**

- 15 mm
- NPN break function (NC)
- connector M12
- 65 °C
- IP 67



Picture similar



**Technical data**

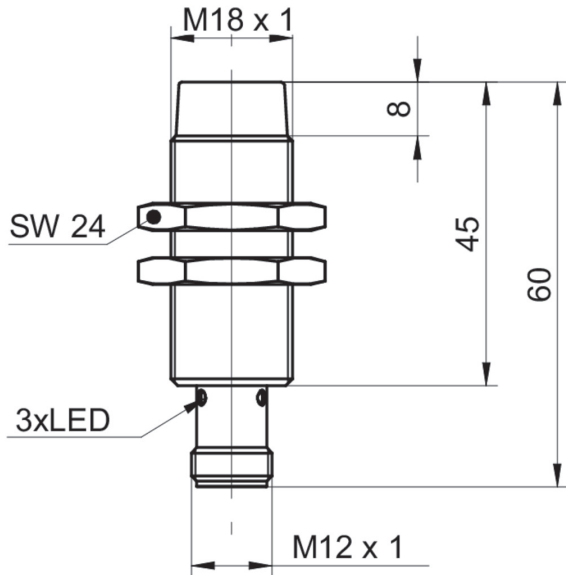
| General data                       |  | Electrical data             |                      |
|------------------------------------|--|-----------------------------|----------------------|
| Mounting type                      | Non-flush  | Voltage drop Vd             | < 2 VDC              |
| Special type                       | Enhanced distance (GammaProx)                                    | Output current              | < 100 mA             |
| Nominal sensing distance Sn        | 15 mm  | Short circuit protection    | Yes                  |
| Temperature drift                  | - 5 % / + 10 % (+10 ... +60 °C)<br>- 5 % / + 15 % (0 ... +65 °C) | Reverse polarity protection | Yes                  |
| Hysteresis                         | 3 ... 20 % of Sr   | Mechanical data             |                      |
| Output indicator                   | 3 port LED red   | Type                        | Cylindrical threaded |
| Correction factor typ.             | Mild steel 100 %, stainless steel 85 %, aluminum 55 %            | Material (sensing face)     | PBT                  |
| Electrical data                    |  | Housing material            | Brass nickel plated  |
| Switching frequency                | < 400 Hz   | Dimension                   | 18 mm                |
| Voltage supply range +Vs           | 6 ... 36 VDC   | Housing length              | 60 mm                |
| Current consumption max. (no load) | 10 mA  | Connection types            | Connector M12        |
| Output circuit                     | NPN break function (NC)  | Tightening torque max.      | 40 Nm                |
| Remarks                            |  | Ambient conditions          |                      |
| ▪ Increased sensing distance       |  | Operating temperature       | 0 ... +65 °C         |
|                                    |  | Protection class            | IP 67                |

# IR18.P15S-N60.NC1Z.7BO

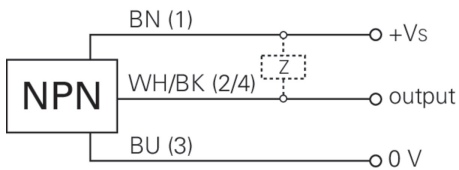
Inductive proximity switch - large sensing distance

Article number: 11148849

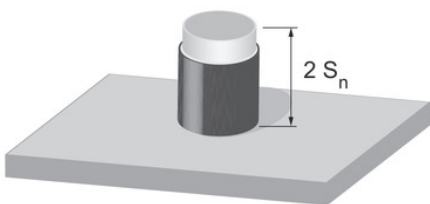
## Dimension drawing



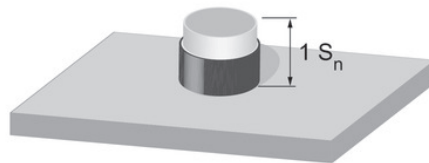
## Connection diagram



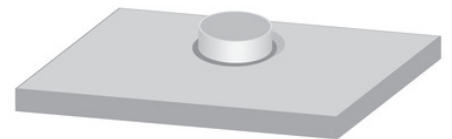
## Correction factors for different mounting situation (approx.)



| Mounting material | Correction factor |
|-------------------|-------------------|
| Mild steel        | 100 %             |
| Stainless steel   | 100 %             |
| Aluminum          | 100 %             |



| Mounting material | Correction factor |
|-------------------|-------------------|
| Mild steel        | 105 %             |
| Stainless steel   | 100 %             |
| Aluminum          | 100 %             |



| Mounting material | Correction factor |
|-------------------|-------------------|
| Mild steel        | not possible      |
| Stainless steel   | 115%              |
| Aluminum          | 95 %              |

**Mounting instructions**

