

**Overview**

- 15 mm
- NPN make function (NO)
- cable, 2 m
- 65 °C
- IP 67



Picture similar



**Technical data**

**General data**

Mounting type	Non-flush
Special type	Enhanced distance (GammaProx)
Nominal sensing distance S <sub>n</sub>	15 mm
Temperature drift	- 5 % / + 10 % (+10 ... +60 °C) - 5 % / + 15 % (0 ... +65 °C)
Hysteresis	3 ... 20 % of S <sub>r</sub>
Output indicator	LED red
Correction factor typ.	Mild steel 100 %, stainless steel 85 %, aluminum 55 %

**Electrical data**

Switching frequency	< 400 Hz
Voltage supply range +V <sub>s</sub>	6 ... 36 VDC
Current consumption max. (no load)	10 mA
Output circuit	NPN make function (NO)

**Electrical data**

Voltage drop V <sub>d</sub>	< 2 VDC
Output current	< 100 mA
Short circuit protection	Yes
Reverse polarity protection	Yes

**Mechanical data**

Type	Cylindrical threaded
Material (sensing face)	PBT
Housing material	Brass nickel plated
Dimension	18 mm
Housing length	50 mm
Connection types	Cable, 2 m
Tightening torque max.	40 Nm

**Ambient conditions**

Operating temperature	0 ... +65 °C
Protection class	IP 67

**Remarks**

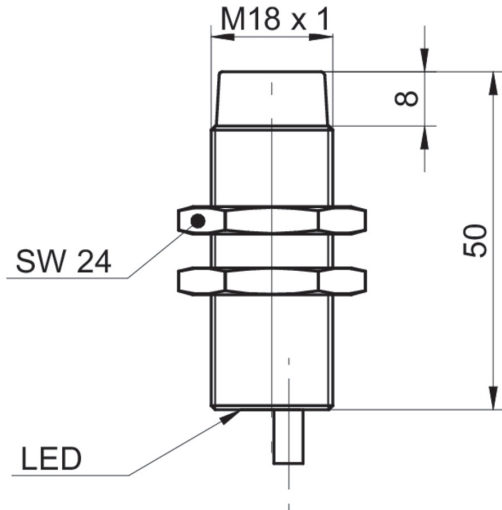
- Increased sensing distance

# IR18.P15S-N50.NO1Z.7BCV

Inductive proximity switch - large sensing distance

Article number: 11148796

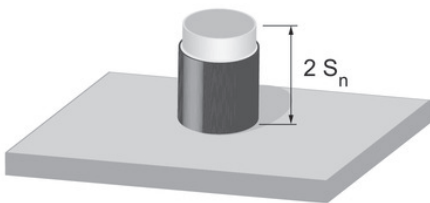
## Dimension drawing



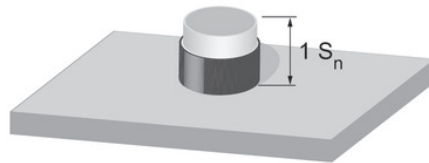
## Connection diagram



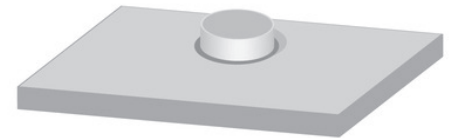
## Correction factors for different mounting situation (approx.)



Mounting material	Correction factor
Mild steel	100 %
Stainless steel	100 %
Aluminum	100 %



Mounting material	Correction factor
Mild steel	105 %
Stainless steel	100 %
Aluminum	100 %



Mounting material	Correction factor
Mild steel	not possible
Stainless steel	115%
Aluminum	95 %

**Mounting instructions**

