

**Overview**

- 12 mm
- PNP make function (NO)
- connector M12
- -25 ... 75 °C
- IP 67



Picture similar



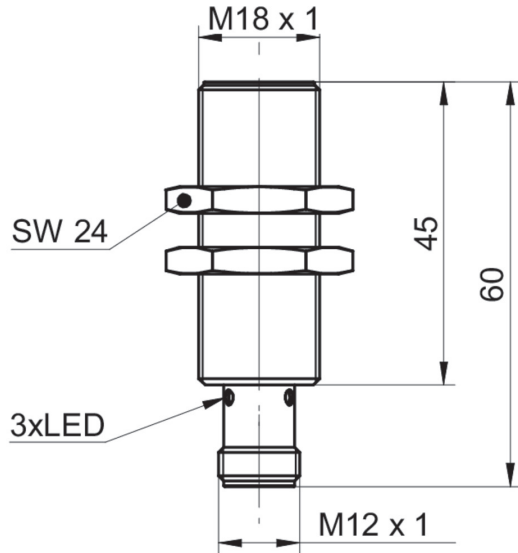
**Technical data**

General data		Electrical data	
Mounting type	Flush	Voltage drop Vd	< 2 VDC
Special type	Enhanced distance (GammaProx)	Output current	< 100 mA
Nominal sensing distance Sn	12 mm	Short circuit protection	Yes
Temperature drift	± 10 %	Reverse polarity protection	Yes
Hysteresis	3 ... 20 % of Sr	Mechanical data	
Output indicator	3 port LED red	Type	Cylindrical threaded
Correction factor typ.	Mild steel 100 %, stainless steel 70 %, aluminum 40 %	Material (sensing face)	PBT
Electrical data		Housing material	Brass nickel plated
Switching frequency	< 400 Hz	Dimension	18 mm
Voltage supply range +Vs	6 ... 36 VDC	Housing length	60 mm
Current consumption max. (no load)	10 mA	Connection types	Connector M12
Output circuit	PNP make function (NO)	Tightening torque max.	40 Nm
		Ambient conditions	
		Operating temperature	-25 ... +75 °C
		Protection class	IP 67

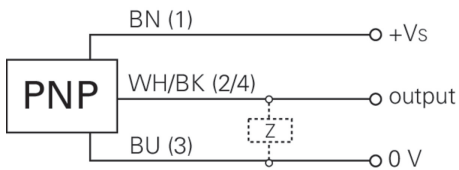
**Remarks**

- Increased sensing distance

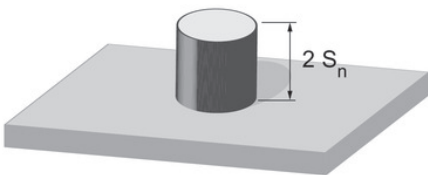
**Dimension drawing**



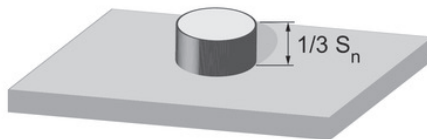
**Connection diagram**



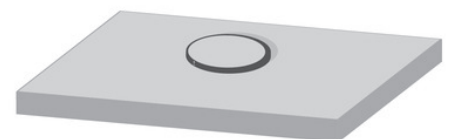
**Correction factors for different mounting situation (approx.)**



Mounting material	Correction factor
Mild steel	100 %
Stainless steel	100 %
Aluminum	100 %



Mounting material	Correction factor
Mild steel	105 %
Stainless steel	95 %
Aluminum	95 %



Mounting material	Correction factor
Mild steel	not possible
Stainless steel	110 %
Aluminum	65 %

**Mounting instructions**

