

IR12.P10S-N60.NO1Z.7BO

Inductive proximity switch - large sensing distance

Article number: 11148325

Overview

- 10 mm
- NPN make function (NO)
- connector M12
- -25 ... 75 °C
- IP 67



Picture similar



Technical data

General data

Mounting type	Non-flush
Special type	Enhanced distance (GammaProx)
Nominal sensing distance Sn	10 mm
Temperature drift	± 10 % (0 ... +60 °C) ± 15 % (-25 ... +75 °C)
Hysteresis	3 ... 20 % of Sr
Output indicator	3 port LED red
Correction factor typ.	Mild steel 100 %, stainless steel 75 %, aluminum 50 %

Electrical data

Switching frequency	< 1,5 kHz
Voltage supply range +Vs	6 ... 36 VDC
Current consumption max. (no load)	10 mA
Output circuit	NPN make function (NO)

Electrical data

Voltage drop Vd	< 2 VDC
Output current	< 100 mA
Short circuit protection	Yes
Reverse polarity protection	Yes

Mechanical data

Type	Cylindrical threaded
Material (sensing face)	PBT
Housing material	Brass nickel plated
Dimension	12 mm
Housing length	60 mm
Connection types	Connector M12
Tightening torque max.	15 Nm (A: 10 Nm)

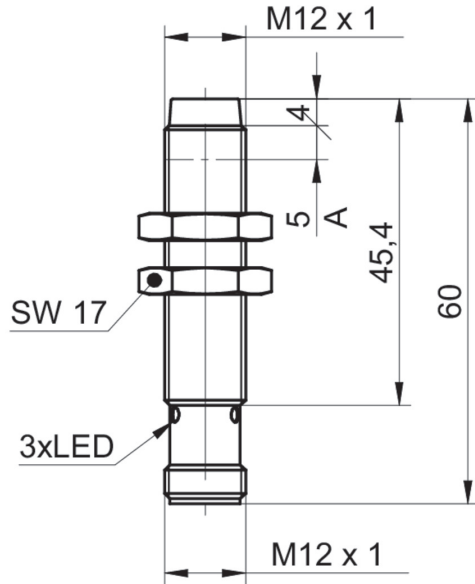
Ambient conditions

Operating temperature	-25 ... +75 °C
Protection class	IP 67

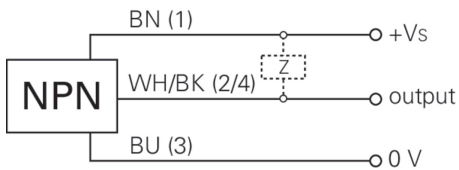
Remarks

- Increased sensing distance

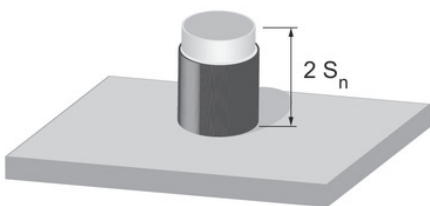
Dimension drawing



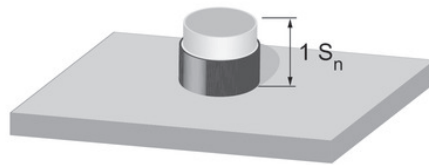
Connection diagram



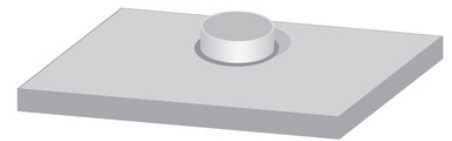
Correction factors for different mounting situation (approx.)



Mounting material	Correction factor
Mild steel	100 %
Stainless steel	100 %
Aluminum	100 %



Mounting material	Correction factor
Mild steel	105 %
Stainless steel	100 %
Aluminum	100 %



Mounting material	Correction factor
Mild steel	not possible
Stainless steel	not possible
Aluminum	90 %

Mounting instructions

