

Overview

- 10 mm
- NPN break function (NC)
- cable, 2 m
- -25 ... 75 °C
- IP 67



Picture similar



Technical data

General data		Electrical data	
Mounting type	Non-flush	Voltage drop Vd	< 2 VDC
Special type	Enhanced distance (GammaProx)	Output current	< 100 mA
Nominal sensing distance Sn	10 mm	Short circuit protection	Yes
Temperature drift	± 10 % (0 ... +60 °C) ± 15 % (-25 ... +75 °C)	Reverse polarity protection	Yes
Hysteresis	3 ... 20 % of Sr	Mechanical data	
Output indicator	LED red	Type	Cylindrical threaded
Correction factor typ.	Mild steel 100 %, stainless steel 75 %, aluminum 50 %	Material (sensing face)	PBT
Electrical data		Housing material	Brass nickel plated
Switching frequency	< 1,5 kHz	Dimension	12 mm
Voltage supply range +Vs	6 ... 36 VDC	Housing length	40 mm
Current consumption max. (no load)	10 mA	Connection types	Cable, 2 m
Output circuit	NPN break function (NC)	Tightening torque max.	15 Nm (A: 10 Nm)
		Ambient conditions	
		Operating temperature	-25 ... +75 °C
		Protection class	IP 67

Remarks

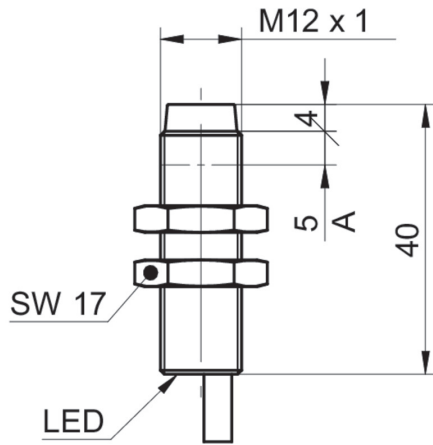
- Increased sensing distance

IR12.P10S-N40.NC1Z.7BCV

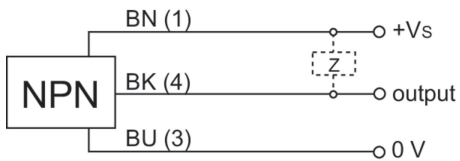
Inductive proximity switch - large sensing distance

Article number: 11148436

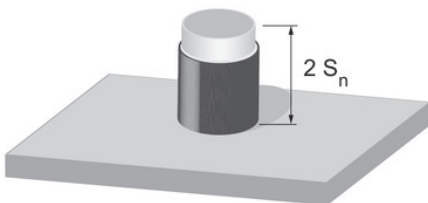
Dimension drawing



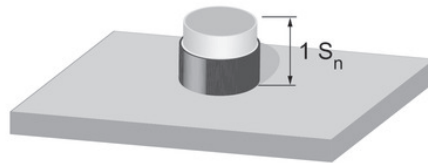
Connection diagram



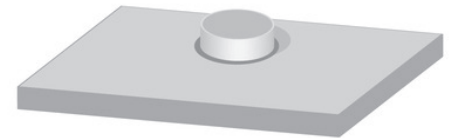
Correction factors for different mounting situation (approx.)



Mounting material	Correction factor
Mild steel	100 %
Stainless steel	100 %
Aluminum	100 %



Mounting material	Correction factor
Mild steel	105 %
Stainless steel	100 %
Aluminum	100 %



Mounting material	Correction factor
Mild steel	not possible
Stainless steel	not possible
Aluminum	90 %

Mounting instructions

