

**Overview**

- 3 mm
- PNP break function (NC)
- connector M8
- -25 ... 75 °C
- IP 67



Picture similar



**Technical data**

**General data**

Mounting type	Flush
Special type	Enhanced distance (GammaProx)
Nominal sensing distance S <sub>n</sub>	3 mm
Temperature drift	± 10 %
Hysteresis	3 ... 20 % of S <sub>r</sub>
Output indicator	3 port LED red
Correction factor typ.	Mild steel 100 %, stainless steel 65 %, aluminum 30 %

**Electrical data**

Switching frequency	< 2 kHz
Voltage supply range +V <sub>s</sub>	6 ... 36 VDC
Current consumption max. (no load)	10 mA
Output circuit	PNP break function (NC)

**Electrical data**

Voltage drop V <sub>d</sub>	< 2 VDC
Output current	< 100 mA
Short circuit protection	Yes
Reverse polarity protection	Yes

**Mechanical data**

Type	Cylindrical smooth
Material (sensing face)	PBT
Housing material	Stainless steel
Dimension	6,5 mm
Housing length	46 mm
Connection types	Connector M8

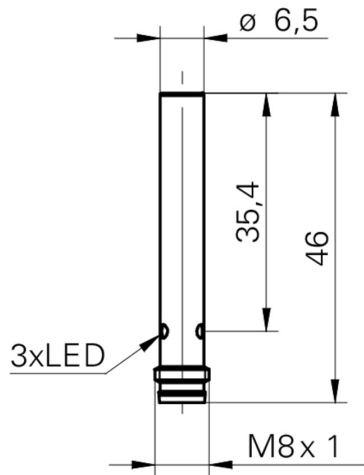
**Ambient conditions**

Operating temperature	-25 ... +75 °C
Protection class	IP 67

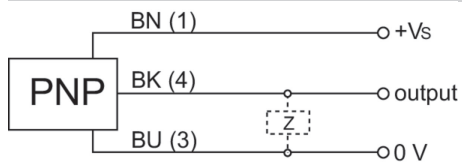
**Remarks**

- Triple sensing distance

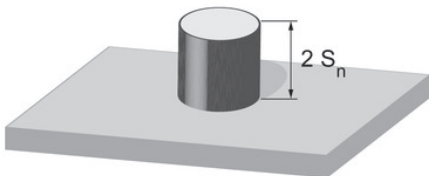
**Dimension drawing**



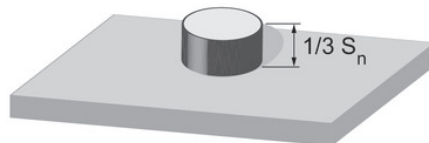
**Connection diagram**



**Correction factors for different mounting situation (approx.)**



Mounting material	Correction factor
Mild steel	100 %
Stainless steel	100 %
Aluminum	100 %



Mounting material	Correction factor
Mild steel	85 %
Stainless steel	65 %
Aluminum	55 %



Mounting material	Correction factor
Mild steel	90 %
Stainless steel	60 %
Aluminum	45 %

**Mounting instructions**

