

Overview

- 15 mm
- PNP make function (NO)
- cable, 2 m
- -25 ... 75 °C
- IP 67



Picture similar



Technical data

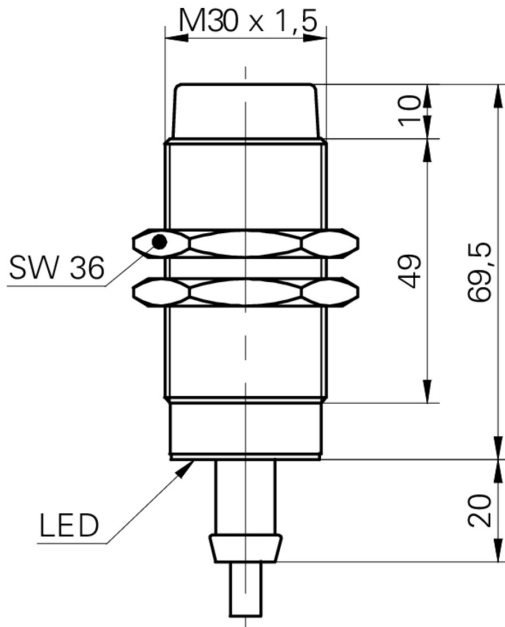
General data		Electrical data	
Mounting type	Non-flush	Short circuit protection	Yes
Nominal sensing distance S _n	15 mm	Reverse polarity protection	Yes
Hysteresis	3 ... 20 % of S _r	Mechanical data	
Output indicator	LED red	Type	Cylindrical threaded
Electrical data		Material (sensing face)	PBT
Switching frequency	< 500 Hz	Housing material	Brass nickel plated
Voltage supply range +V _s	10 ... 50 VDC	Dimension	30 mm
Current consumption max. (no load)	10 mA	Housing length	69,5 mm
Output circuit	PNP make function (NO)	Connection types	Cable, 2 m
Voltage drop V _d	< 3 VDC	Tightening torque max.	200 Nm (Front: 140 Nm)
Output current	< 200 mA	Ambient conditions	
		Operating temperature	-25 ... +75 °C
		Protection class	IP 67

IFRM 30P1201/L

Inductive proximity switch - standard

Article number: 10123251

Dimension drawing



Connection diagram

