

Overview

- 8 mm
- NPN make function (NO)
- connector M12
- -25 ... 75 °C
- IP 67



Picture similar



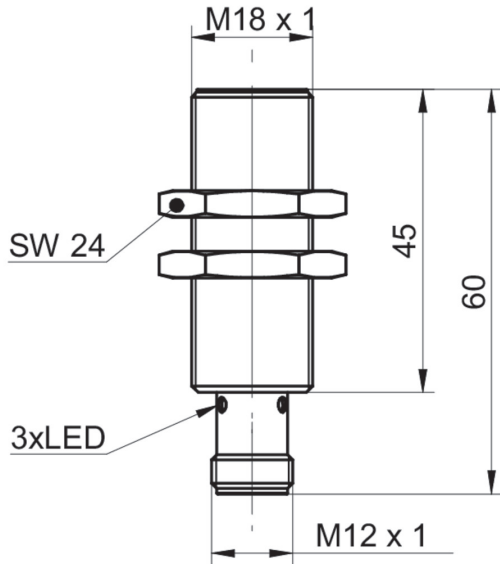
Technical data

General data		Electrical data	
Mounting type	Quasi-flush	Short circuit protection	Yes
Nominal sensing distance S _n	8 mm	Reverse polarity protection	Yes
Hysteresis	3 ... 20 % of S _r	Mechanical data	
Output indicator	3 port LED red	Type	Cylindrical threaded
Electrical data		Material (sensing face)	PBT
Switching frequency	< 500 Hz	Housing material	Brass nickel plated
Voltage supply range +V _s	6 ... 36 VDC	Dimension	18 mm
Current consumption max. (no load)	10 mA	Housing length	60 mm
Output circuit	NPN make function (NO)	Connection types	Connector M12
Voltage drop V _d	< 2 VDC	Tightening torque max.	40 Nm
Output current	< 200 mA	Ambient conditions	
		Operating temperature	-25 ... +75 °C
		Protection class	IP 67

Remarks

- Not for flush mounting in mild steel

Dimension drawing



Connection diagram

