

### Overview

- 8 mm
- PNP break function (NC)
- connector M12
- -25 ... 75 °C
- IP 67



Picture similar



### Technical data

#### General data

Mounting type	Quasi-flush
Nominal sensing distance S <sub>n</sub>	8 mm
Hysteresis	3 ... 20 % of S <sub>r</sub>
Output indicator	3 port LED red

#### Electrical data

Switching frequency	< 500 Hz
Voltage supply range +V <sub>s</sub>	6 ... 36 VDC
Current consumption max. (no load)	10 mA
Output circuit	PNP break function (NC)
Voltage drop V <sub>d</sub>	< 2 VDC
Output current	< 200 mA

#### Electrical data

Short circuit protection	Yes
Reverse polarity protection	Yes

#### Mechanical data

Type	Cylindrical threaded
Material (sensing face)	PBT
Housing material	Brass nickel plated
Dimension	18 mm
Housing length	60 mm
Connection types	Connector M12
Tightening torque max.	40 Nm

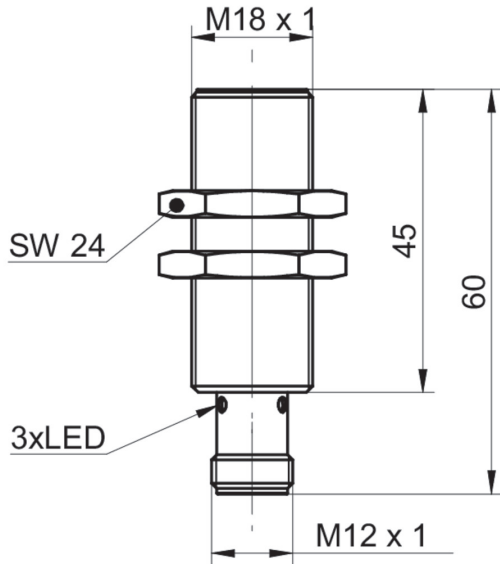
#### Ambient conditions

Operating temperature	-25 ... +75 °C
Protection class	IP 67

### Remarks

- Not for flush mounting in mild steel

**Dimension drawing**



**Connection diagram**

