

**Overview**

- 4 mm
- PNP make function (NO)
- cable, 2 m
- IP 67



Picture similar



**Technical data**

**General data**

Mounting type	Flush
Nominal sensing distance S <sub>n</sub>	4 mm
Hysteresis	3 ... 20 % of S <sub>r</sub>
Output indicator	LED red
Approvals/certificates	ATEX 3D

**Electrical data**

Switching frequency	< 2 kHz
Voltage supply range +V <sub>s</sub>	10 ... 30 VDC
Current consumption max. (no load)	10 mA
Output circuit	PNP make function (NO)
Voltage drop V <sub>d</sub>	< 2 VDC
Output current	< 200 mA
Short circuit protection	Yes

**Electrical data**

Reverse polarity protection	Yes
-----------------------------	-----

**Mechanical data**

Type	Cylindrical threaded
Material (sensing face)	PBT
Housing material	Brass nickel plated
Dimension	12 mm
Housing length	40 mm
Connection types	Cable, 2 m
Tightening torque max.	15 Nm (Front: 10 Nm)

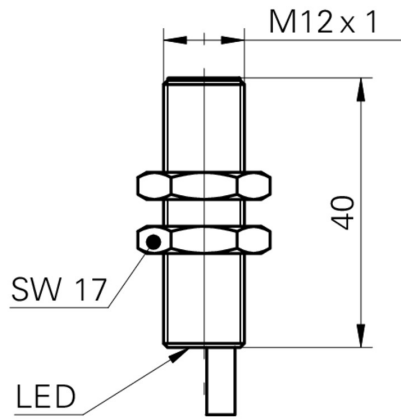
**Ambient conditions**

Protection class	IP 67
------------------	-------

**Safe maximum values**

Marking	II 3D Ex tc IIIC T100°C Dc X
Operating temperature T <sub>a</sub>	-25 ... +65 °C

**Dimension drawing**



**Connection diagram**

