

**Overview**

- 4 mm
- NPN make function (NO)
- connector M12
- -25 ... 75 °C
- IP 67



Picture similar



**Technical data**

**General data**

|  |                              |
|--|------------------------------|
| Mounting type                              | Flush                        |
| Nominal sensing distance<br>S <sub>n</sub> | 4 mm                         |
| Hysteresis                                 | 3 ... 20 % of S <sub>r</sub> |
| Output indicator                           | 3 port LED red               |

**Electrical data**

|                                       |                        |
|---------------------------------------|------------------------|
| Switching frequency                   | < 2 kHz                |
| Voltage supply range +V <sub>s</sub>  | 6 ... 36 VDC           |
| Current consumption max.<br>(no load) | 10 mA                  |
| Output circuit                        | NPN make function (NO) |
| Voltage drop V <sub>d</sub>           | < 2 VDC                |
| Output current                        | < 200 mA               |

**Electrical data**

|                             |     |
|-----------------------------|-----|
| Short circuit protection    | Yes |
| Reverse polarity protection | Yes |

**Mechanical data**

|                         |                      |
|-------------------------|----------------------|
| Type                    | Cylindrical threaded |
| Material (sensing face) | PBT                  |
| Housing material        | Brass nickel plated  |
| Dimension               | 12 mm                |
| Housing length          | 60 mm                |
| Connection types        | Connector M12        |
| Tightening torque max.  | 15 Nm (Front: 10 Nm) |

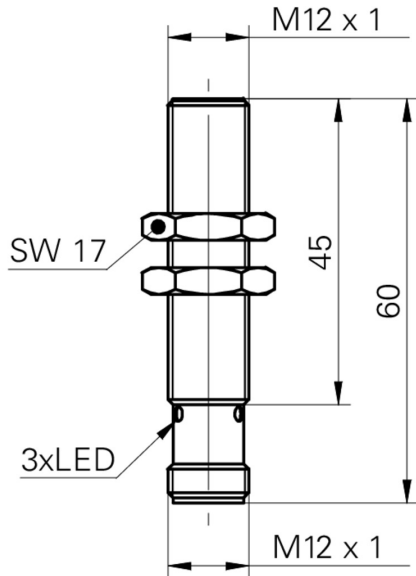
**Ambient conditions**

|                       |                |
|-----------------------|----------------|
| Operating temperature | -25 ... +75 °C |
| Protection class      | IP 67          |

**Remarks**

- Extra long housing

**Dimension drawing**



**Connection diagram**

