

**Overview**

- 4 mm
- PNP break function (NC)
- connector M12
- -25 ... 75 °C
- IP 67



Picture similar



**Technical data**

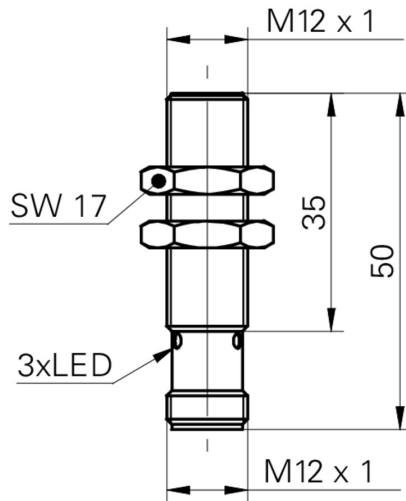
General data		Electrical data	
Mounting type	Flush	Short circuit protection	Yes
Nominal sensing distance S <sub>n</sub>	4 mm	Reverse polarity protection	Yes
Hysteresis	3 ... 20 % of S <sub>r</sub>	Mechanical data	
Output indicator	3 port LED red	Type	Cylindrical threaded
Electrical data		Material (sensing face)	PBT
Switching frequency	< 2 kHz	Housing material	Brass nickel plated
Voltage supply range +V <sub>s</sub>	6 ... 36 VDC	Dimension	12 mm
Current consumption max. (no load)	10 mA	Housing length	50 mm
Output circuit	PNP break function (NC)	Connection types	Connector M12
Voltage drop V <sub>d</sub>	< 2 VDC	Tightening torque max.	15 Nm (Front: 10 Nm)
Output current	< 200 mA	Ambient conditions	
		Operating temperature	-25 ... +75 °C
		Protection class	IP 67

# IFRM 12P3701/S14L

Inductive proximity switch - standard

Article number: 10214924

## Dimension drawing



## Connection diagram

